

CHAPMAN

Parts List

TS600 - Trailed Strimmer



Manufacture Date: July 2023 Onwards

Revision: July 2024

Chapman Machinery Ltd, Hele Barton, Week St. Mary, Holsworthy, Devon EX22 6XR

Tel: 01288 308149

Email: sales@chapman.co.uk

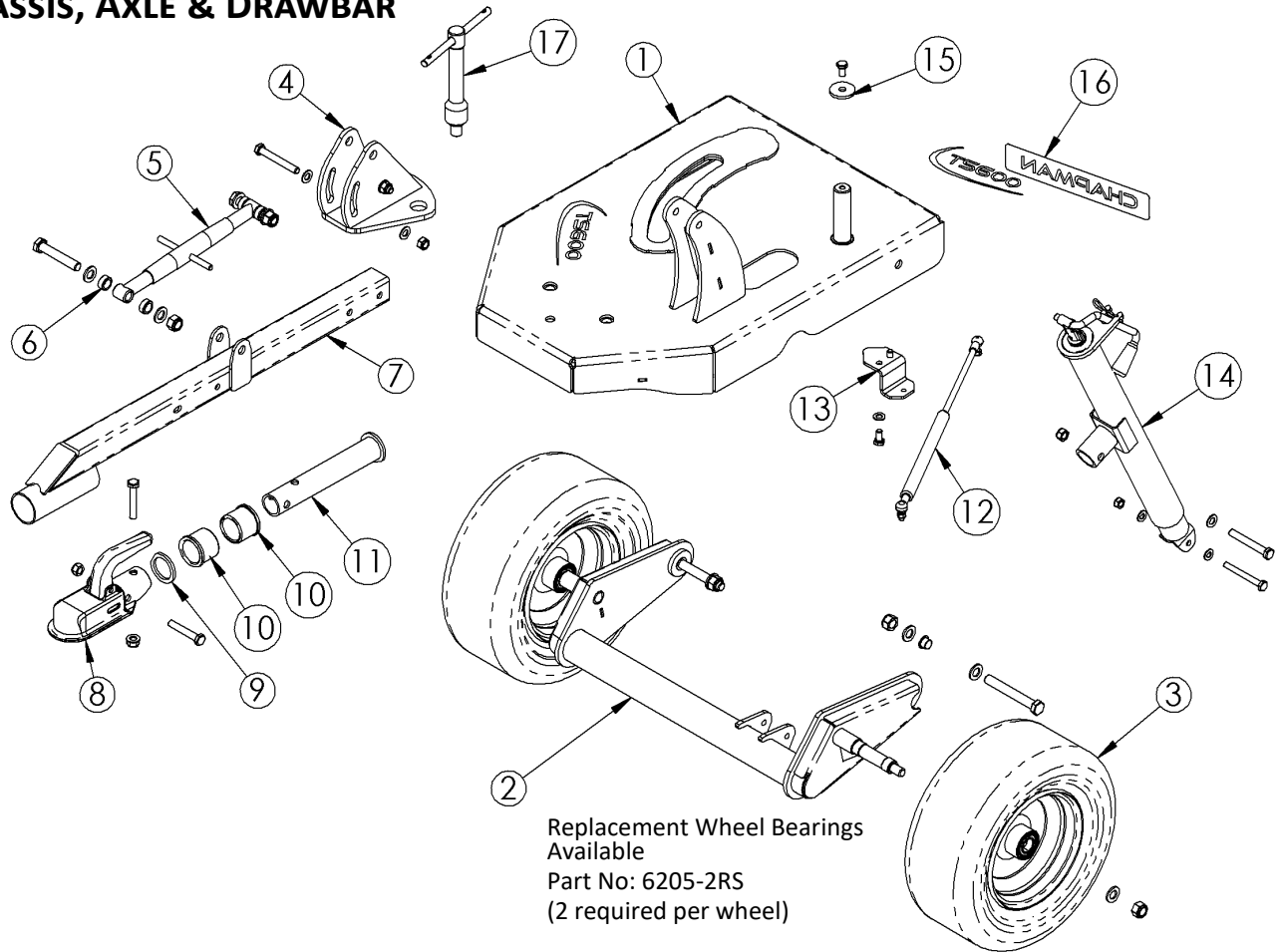
CONTENTS

Chassis, Axle & Drawbar	page.3
Arm & Engine Components.....	page 5
Head Components	page 7
Slewing Ring Components Breakdown.....	page 9
Spindle Assembly Components Breakdown	page 10
Tipped Cutting System Components.....	page 11

For any queries or components not listed in these parts drawings,
Please contact Chapman Machinery.

Please confirm parts are suitable for the year of manufacture of your machine.
For parts lists for earlier machines, Please contact Chapman Machinery.

CHASSIS, AXLE & DRAWBAR

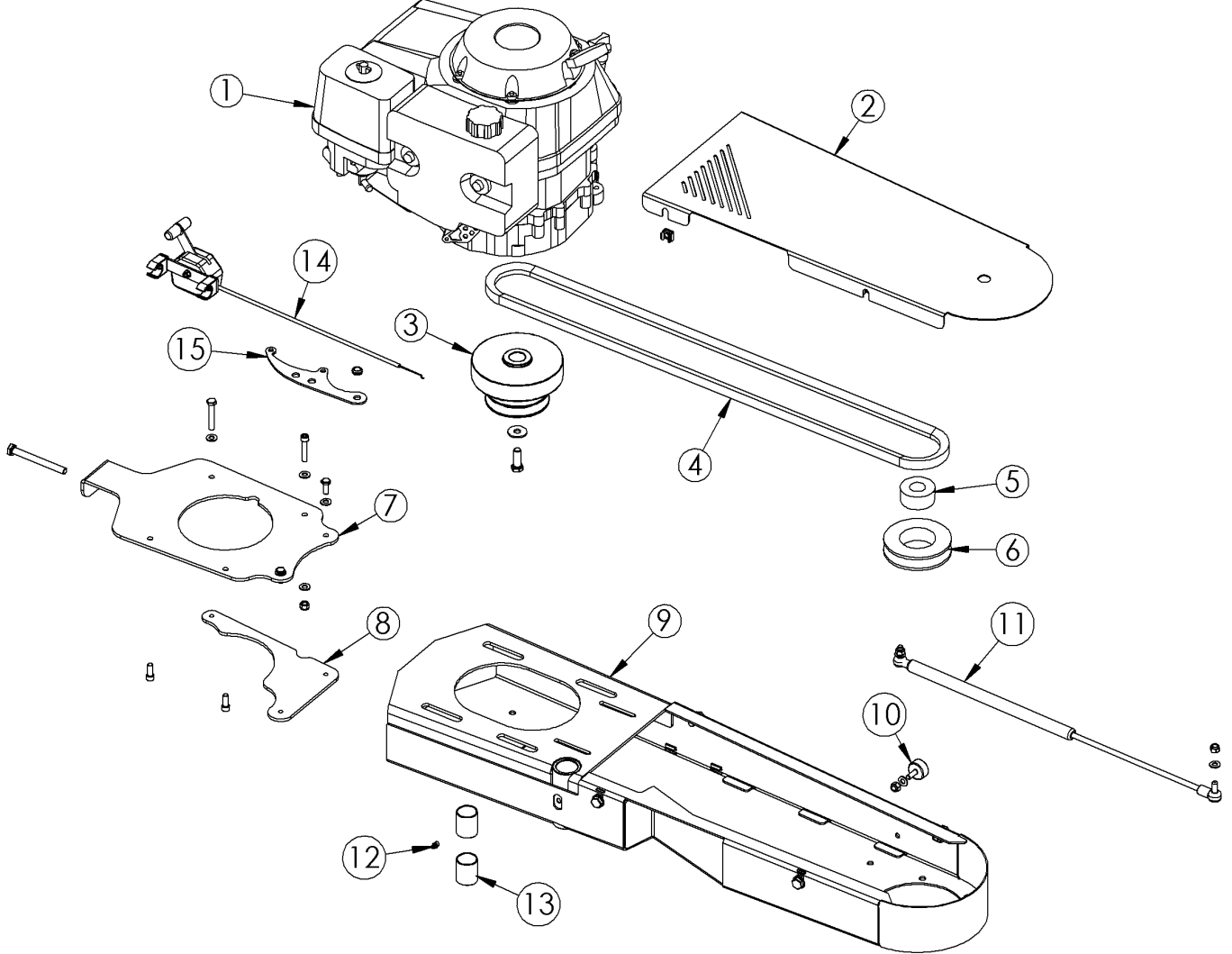


REF.	Part Number	Description	QTY.
1	TS600-MFA	Mainframe Assembly TS600	1
2	TS600-AA	Axle Assembly TS600	1
	M16-120HB	M16 x 120 Bolt 8.8	2
	M12-000PW	Plain Washer M16 Form A	4
	M12-000NN	M12 Nylon Lock Nut	2
	MFM-1618-12	Axle Pivot Bearing	2
3	WAT-1668	Wheel and Tyre Assembly	2
	M16-000PW	Plain Washer M16 Form A	2
	M16-000NN	M16 Nylon Lock Nut	2
4	FM-DMA	Drawbar Mount	1
	M16-50HB	M16 x 50 Bolt 8.8	1
	M16-000PW	M16 Plain Washer Form A	2
	M16-000NN	M16 Nylon Lock Nut	1
5	TL-110860	Drawbar Angle Adjuster	1
	M16-90HB	M16 x 90 Bolt 8.8	2
	M16-000PW	M16 Plain Washer Form A	4
	M16-000NN	M16 Nylon Lock Nut	2
6	DBS-251711	Drawbar Spacer	4
7	DBA-900	Drawbar Assembly with Pivoting Hitch Mounting	1
	M12-90HB	M12 x 90 Bolt 8.8	2
	M12-000PW	M12 Plain Washer Form A	4
	M12-000NN	M12 Nylon Lock Nut	2

CHASSIS, AXLE & DRAWBAR (CONTINUED...)

REF.	Part Number	Description	QTY.
8	8802428X	50mm Ball Coupling	1
	M12-80HB	M12 x 80 Bolt 8.8	2
	M12-000PW	M12 Plain Washer Form A	4
	M12-000NN	M12 Nylon Lock Nut	2
9	SH-003	Drawbar Bush Locating Washer	2
10	SH-002	Drawbar Bush	2
11	SH-ASSY	Drawbar Tube Assy	1
12	1247/8103	Arm Gas Spring	1
	M8-000PW	M8 Plain Washer Form A	2
	M8-000NN	M8 Nylon Lock Nut	2
13	TS600-SMB	Gas Spring Mounting Plate (Body)	1
	M10-20HS	M10 x 20 Setscrew 8.8	2
	M10-000PW	M10 Plain Washer Form A	2
14	HAI-6091	Height Adjustment Jack	1
	M12-90HB	M12 x 90 Bolt 8.8	1
	M12-000PW	M12 Plain Washer Form A	2
	M12-000NN	M12 Nylon Lock Nut	1
	M10-90HB	M10 x 90 Bolt 8.8	1
	M10-000PW	M10 Plain Washer Form A	2
	M10-000NN	M10 Nylon Lock Nut	1
15	RM150-080-PC	Arm Fixing Washer	1
	M10-20HS	M10 x 20 Setscrew 8.8	1
16	TS600-DECAL	Decal Kit TS600	1
17	SHS-20(ASSY)	Swivel Hitch Screw	1

ARM & ENGINE COMPONENTS



REF.	Part Number	Description	QTY.
1	GXV390	Honda GXV390 Engine Assembly	1
	M8-50HB	M8 x 50 Bolt 8.8	1
	M8-50CS	M8 x 50 Cap Head Set Screw 8.8	1
	M8-000PW	M8 Plain Washer Form A	2
	M8-20CS	M8 x 20 Cap Head Set Screw 8.8	2
2	TS600-ABG	Arm Belt Guard	1
	M10-20HS	M10 x 20 Setscrew 8.8	4
	M10-000PW	M10 Plain Washer Form A	4
	M10-000CN	M10 Cage Nut	4
3	K125-1922	Centrifugal Clutch Assembly	1
	7/16-20 x 1 1/4" UNF	Clutch Fixing Bolt (APPLY MEDIUM STRENGTH THREADLOCK TO BOLT)	1
	M10-000PWG	M10 Plain Washer Form G	1
4	SPB1850UPX	Main Drive Belt— Standard Fitment (Plastic Blades)	1
	SPB1950UPX	Main Drive Belt— FOR PRO Spec Machine (Swinging Tip Blades)	OPT
5	1610/25	Taper Lock Bush 1610x25mm	1
6	SPB100/1	Slewing Ring Drive Pulley—Standard Fitment (Plastic Blades)	1
	SPB150/1	Slewing Ring Drive Pulley—PRO Spec Machines (Swinging Tip Blades)	OPT

ARM & ENGINE COMPONENTS (CONTINUED...)

REF.	Part Number	Description	QTY.
7	TS600-EMP	Engine Mounting Plate	1
	M10-100HS	Belt Tension Adjustment Bolt M10 x 100 Setscrew 8.8	1
	M10-000NN	M10 Nylon Lock Nut	1
	M8-30HS	M8 x 30 Setscrew 8.8	2
	M8-000NN	M8 Nylon Lock Nut	1
	M8-000PW	M8 Plain Washer Form A	2
8	TS600-EBP	Engine Bolting Plate	1
9	TS600-ARM	Arm Assembly	1
10	AD3015MFB20-60	Rubber Buffer	1
	M8-000NN	M8 Nylon Lock Nut	1
	M8-000PW	M8 Plain Washer Form A	1
11	125/7983	Head Gas Spring Including Fitting Kit	1
	M8-000NN	M8 Nylon Lock Nut	2
	M8-000PW	M8 Plain Washer	2
12	GN8125180	Grease Nipple M8 Straight	1
13	GSM-3034-40	Plain Bearing (Arm Pivot)	2
14	RM-TA	Remote Throttle Assembly	1
15	RM120-009PC	Remote Throttle Cable Support	1
	498040	Cable Support Grommet	1

Engine and Driveline service kit available:

Part No.: **SERVICE KIT TS600**

Comprising:

- Honda Genuine Engine Oil
- Honda Genuine Spark Plug
- Honda Genuine Air Filter
- Main Drive Belt
- Both Head Drive Belts

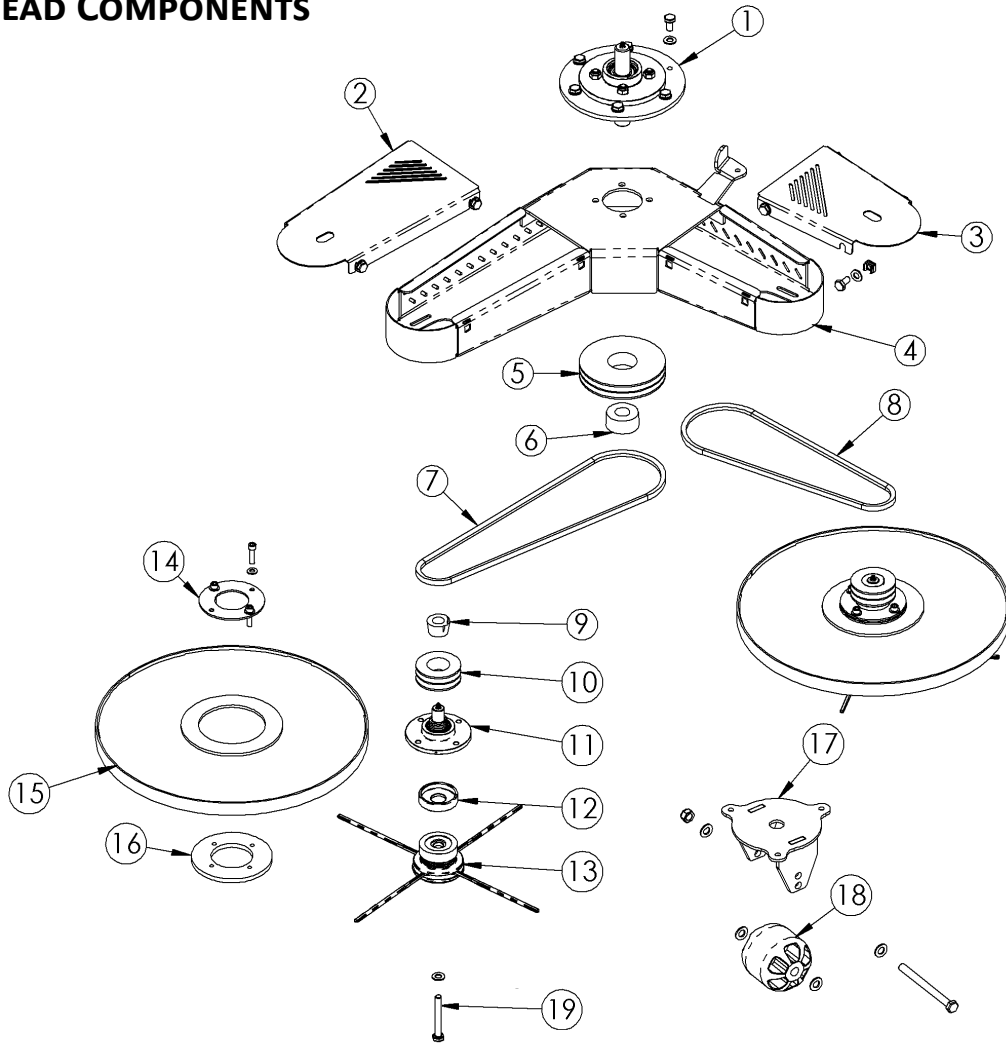
Clutch Service Kit Available:

Part No.: RK125-1922

Comprising:

- Replacement Shoes
- Replacement Springs

CUTTER HEAD COMPONENTS



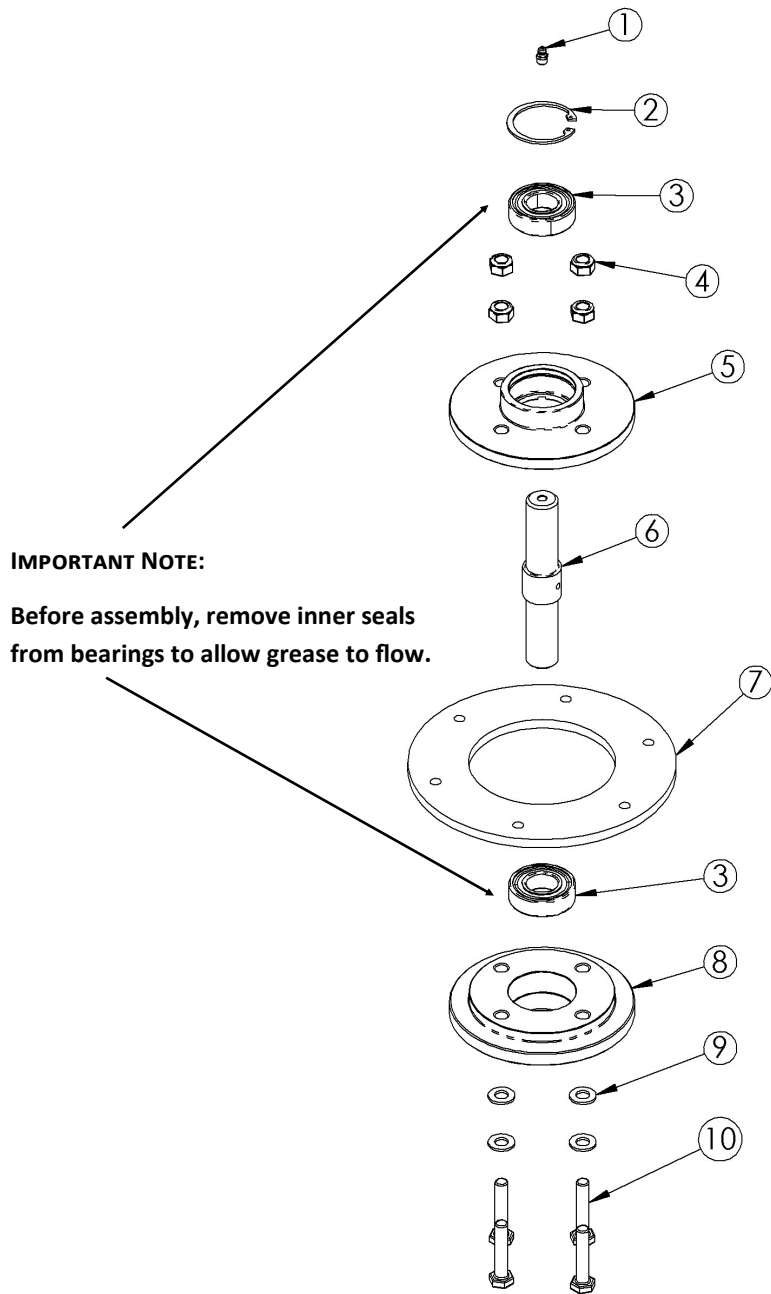
REF.	Part Number	Description	QTY.
1	TS600-SR(ASSY)	Slewing Ring Assembly Complete (See next page for component parts)	1
	M10-20HS	M10 x 20 Setscrew 8.8	6
	M10-60HB	M10 x 60 Bolt 8.8	4
	M10-000PW	M10 Plain Washer Form A	14
	M10-000NN	M10 Nylon Lock Nut	4
2	TS600-HGL	Head Guard Long	1
	M10-20HS	M10 x 20 Setscrew	4
	M10-000PW	M10 Plain Washer Form A	4
	M10-000CN	M10 Cage Nut	4
3	TS600-HGS	Head Guard Short	1
	M10-20HS	M10 x 20 Setscrew	4
	M10-000PW	M10 Plain Washer Form A	4
	M10-000CN	M10 Cage Nut	4
4	TS600-CHA	Cutting Head Welded Assembly	1
5	SPZ140x2	Head Drive Pulley 200mm PCD	1
6	1610/25	Taper Lock Bush 1610x25 (Including Grub Screws)	1
7	SPZ1150UPX	Head Drive Belt Long	1
8	SPZ950UPX	Head Drive Belt Short	1

CUTTER HEAD COMPONENTS (CONTINUED...)

REF.	Part Number	Description	QTY.
9	1108/20	Taper Lock Buch 1108x25 (including Grub Screws)	2
10	SPZ71x2	Spindle Drive Pulley	2
11	TS600-SP (ASSY)	Spindle Assembly Complete (See next page for component parts)	2
12	TS600-SGW	Spindle Guard Washer	2
13	QFC10	Cutting Head	2
	10119111	Replacement Blades (40 Pack)	Optional
14	TS600-SBA	Spindle Clamping Plate	2
15	TS600-CGA	Cutter Guard Assembly	2
16	TS600-SPB	Spindle Bolting Plate	2
	M8-30CS	M8 x 30 Cap Head Set Screw 8.8	8
	M8-000PW	M8 Plain Washer Form A	8
17	TS600-ASP	Anti Scalping Plate	1
	M10-20HS	M10 x 20 Setscrew 8.8	4
	M10-000PW	M10 Plain Washer Form A	4
	M10-000CN	M10 Cage Nut	4
18	FGP012516	Anti Scalping Roller	1
	M12-140HB	M12 x 140 Bolt 8.8	1
	M12-000PW	M12 Plain Washer Form A	4
	M12-000NN	M12 Nylon Lock Nut	1
19	M10 x 30 Bolt 8.8	M10 x 30 Setscrew 8.8	2
	M10 Form C Washer	Supplied with QFC10 cutting head	2

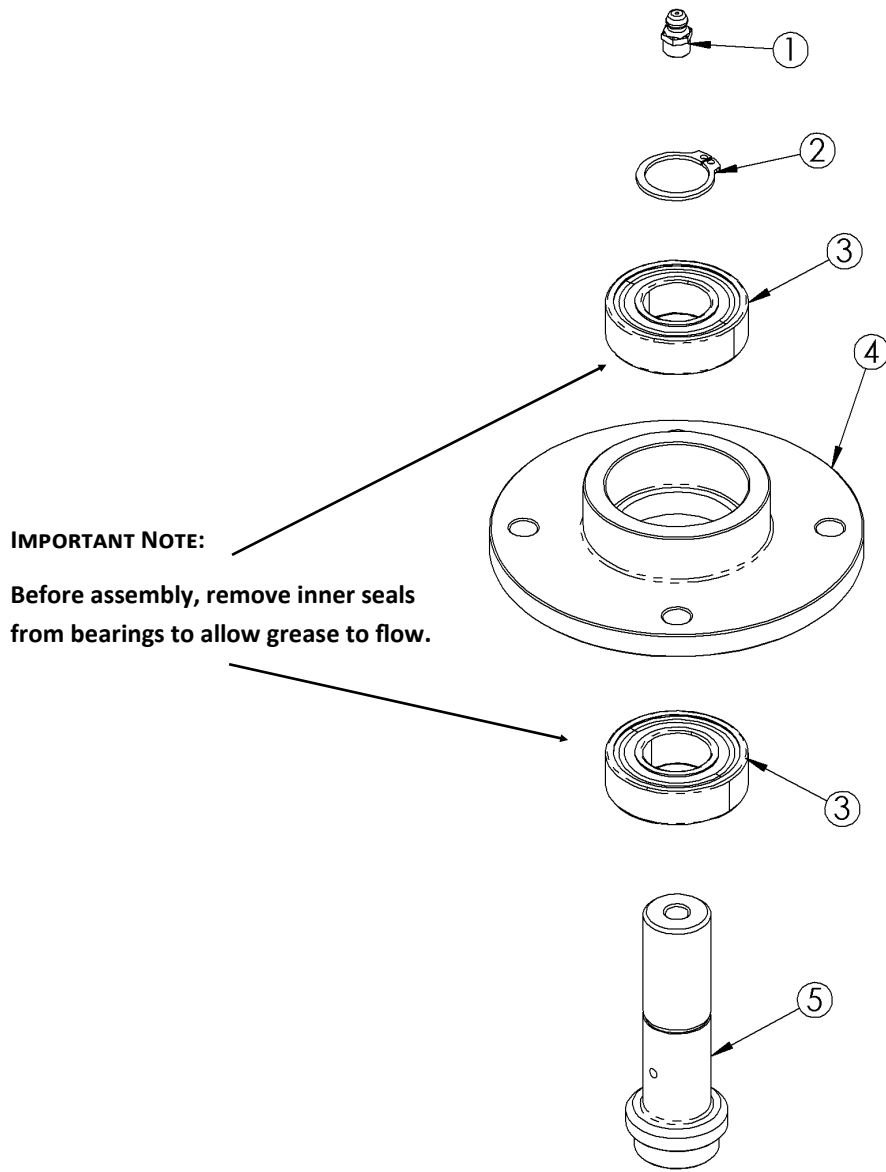
Replacement Blades Available in Packs of 40
Part No: 10119111

SLEWING RING COMPONENT PARTS



REF.	Part Number	Description	QTY.
	TS600-SR(ASSY)	COMPLETE SLEWING RING ASSEMBLY COMPRISING ALL ITEMS BELOW	
1	GN8125180	Grease Nipple M8 Straight	1
2	47252	Internal Circlip 52mm	1
3	6205-2RS	Sealed Bearing 25mm	2
4	M10-000NN	M10 Nylon Lock Nut	4
5	TS600-SRU-ZP	Slewing Ring Upper Housing	1
6	TS600-SRS	Slewing Ring Driveshaft	1
7	TS600-SRF	Slewing Ring Fixed Plate	1
	M10-20HS	M10 x 20 Setscrew 8.8	6
	M10-000PW	M10 Plain Washer	6
8	TS600-SRU	Slewing Ring Lower Housing	1
9	M10-000PW	M10 Plain Washer Form A	4
10	M10-50HB	M10 x 50 Bolt 8.8	4

SPINDLE ASSEMBLY COMPONENT PARTS



REF.	Part Number	Description	QTY.
	TS600-SP(ASSY)	COMPLETE SPINDLE ASSEMBLY COMPRISING ALL ITEMS BELOW	
1	GN8125180	Grease Nipple M8 Straight	1
2	47120	20mm External Circlip	1
3	6004-2RS	Spindle Bearing Sealed	2
4	SBH-110	Spindle Bearing Housing	1
5	SDS-2025	Spindle Drive Shaft	1

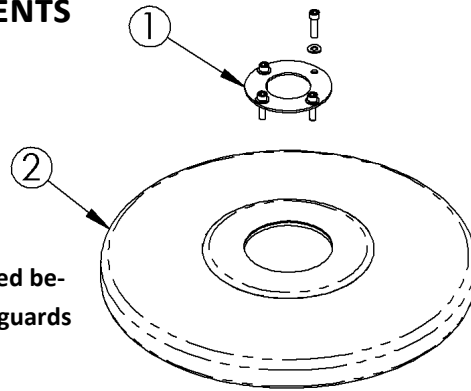
TIPPED BLADE COMPONENTS

IMPORTANT NOTE:

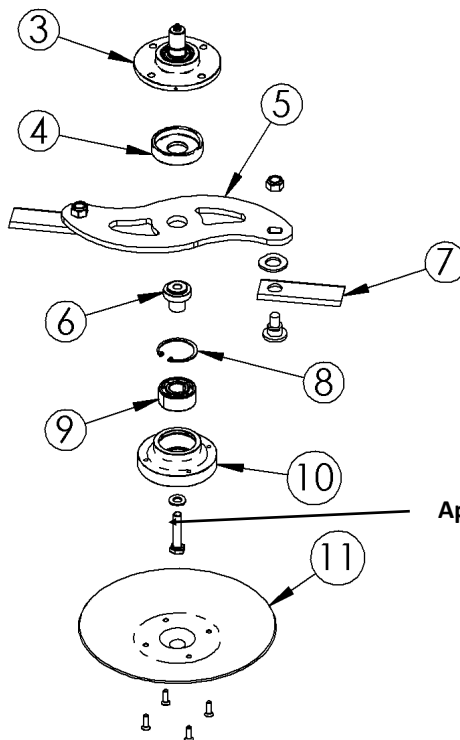
For retrofit to machines manufactured before June 2024, replacement cutter guards are required.

These must be the updated single piece design as shown.

Contact Chapman Machinery before order.



Drive Belt & Pulley must be replaced for retrofit—See Page 5 for details.



Apply thread locking compound.

REF.	Part Number	Description	QTY.
1	TS600-SBP	Spindle Bolting Plate	2
2	TS600-CGA	Cutter Guard Assembly (Single Piece Design Required) Older Machines Required Replacement Single Piece Guards—Confirm Before Order	2
3	TS600-SP(ASSY)	Spindle Assembly (See Page 10 For Breakdown of Components)	2
	TS600-SBP	Spindle Bolting Plate	2
	M8-30CS	M8 x 30 Cap Head Set Screw 8.8	8
	M8-000PW	M8 Plain Washer Form A	8
	M10-60HB	M10 x 60mm Bolt 8.8 (APPLY THREAD LOCKING COMPOUND)	2
	M10-000PWG	M10 Plain Washer Form G	2
4	TS600-SGW	Spindle Guard Washer	2
5	TS600-BCP	Blade Carrier Plate	2
6	SDP-100	Spinning Disc Pin	2
7	55903310KR	Blade Tip—Reversible	4
	RM120-074PC	Blade Spacer Washer	4
	56115800	Blade Shouldered Bolt	4
	M12-000NN	M12 Thin Nylon Lock Nut	4
8	47247	Circlip Internal	2
9	3204-2RS	Double Row Angular Contact Ball Bearing Sealed	2
10	DSB-5275	Disc Spacer/Mounting Bush	2
11	K3000060N	Anti Scalping Disc	2
	M6-20CSK	M6 x 20mm Countersunk Set Screw 8.8	8