

CHAPMAN

Tractor Mounted Weed Wiper

T240



Parts List

Manufacture Date: September 2023 Onwards

Revision: February 2024

Chapman Machinery Ltd, Hele Barton, Week St. Mary, Holsworthy, Devon EX22 6XR

Tel: 01288 308149

Email: sales@chapman.co.uk

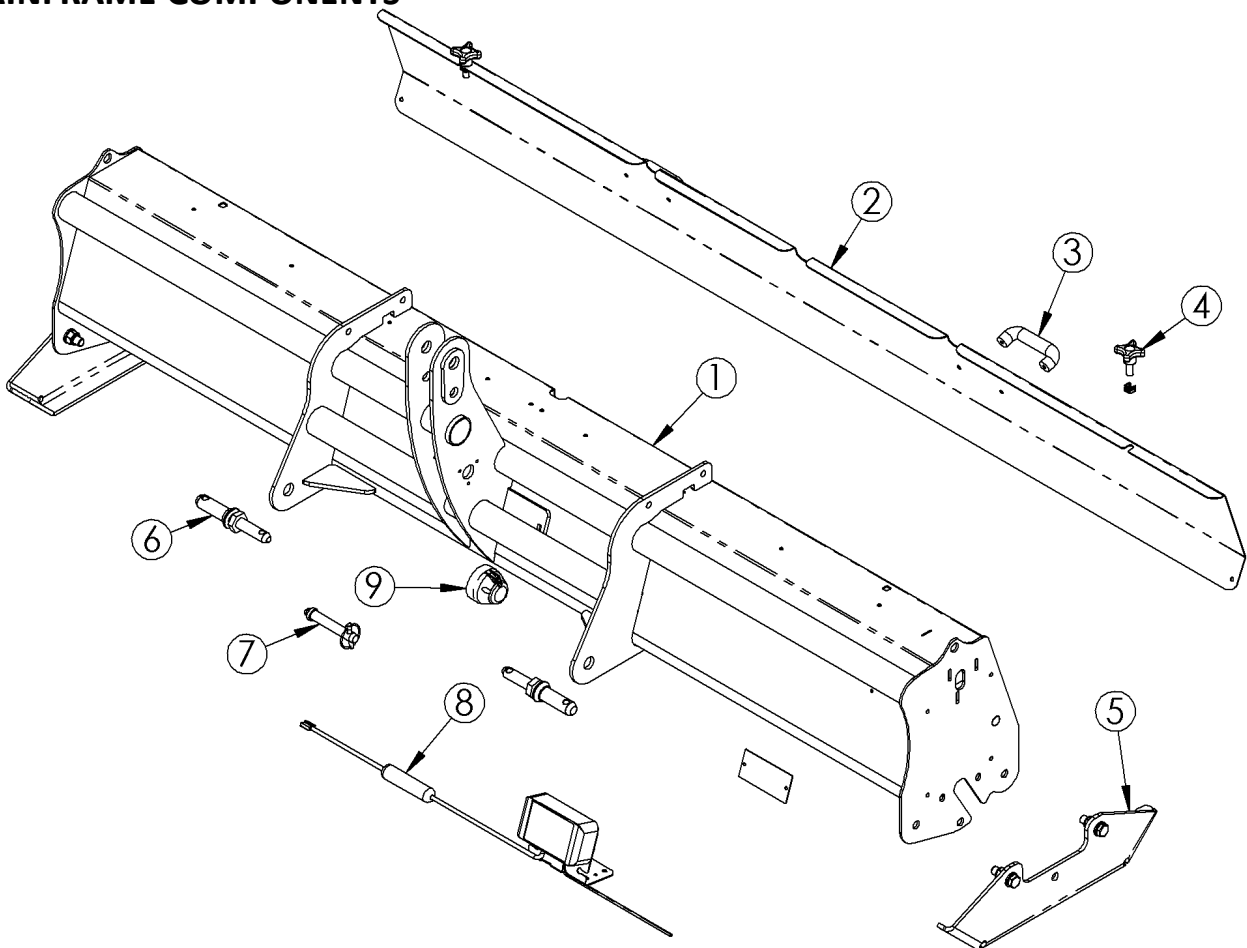
CONTENTS

Mainframe & Control Box	page.3
Driveline & Rotor Components	page 4
Tank & Nozzle Components	page.5

For any queries or components not listed in these parts drawings,
Please contact Chapman Machinery.

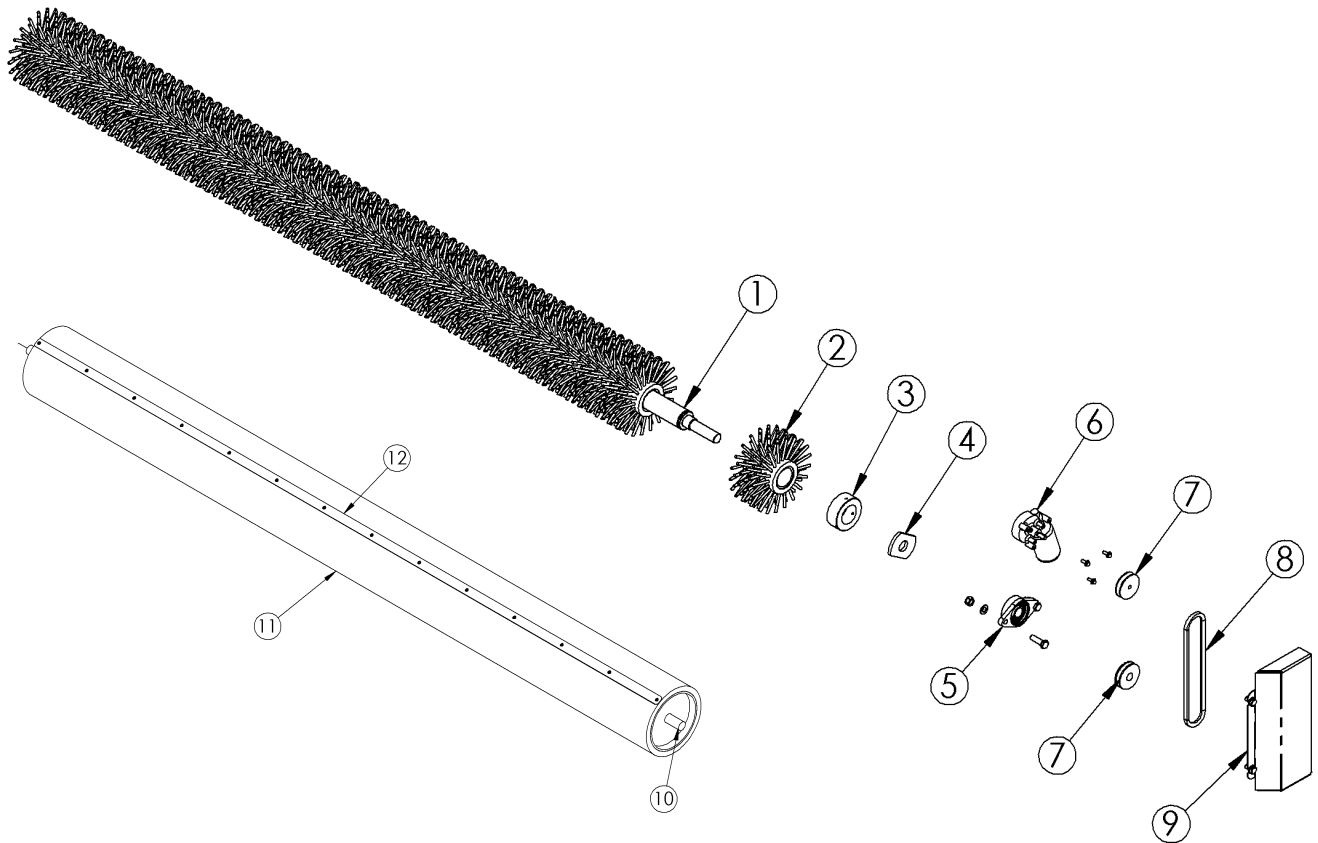
Please confirm parts are suitable for the year of manufacture of your machine.
For parts lists for earlier machines, Please contact Chapman Machinery.

MAINFRAME COMPONENTS



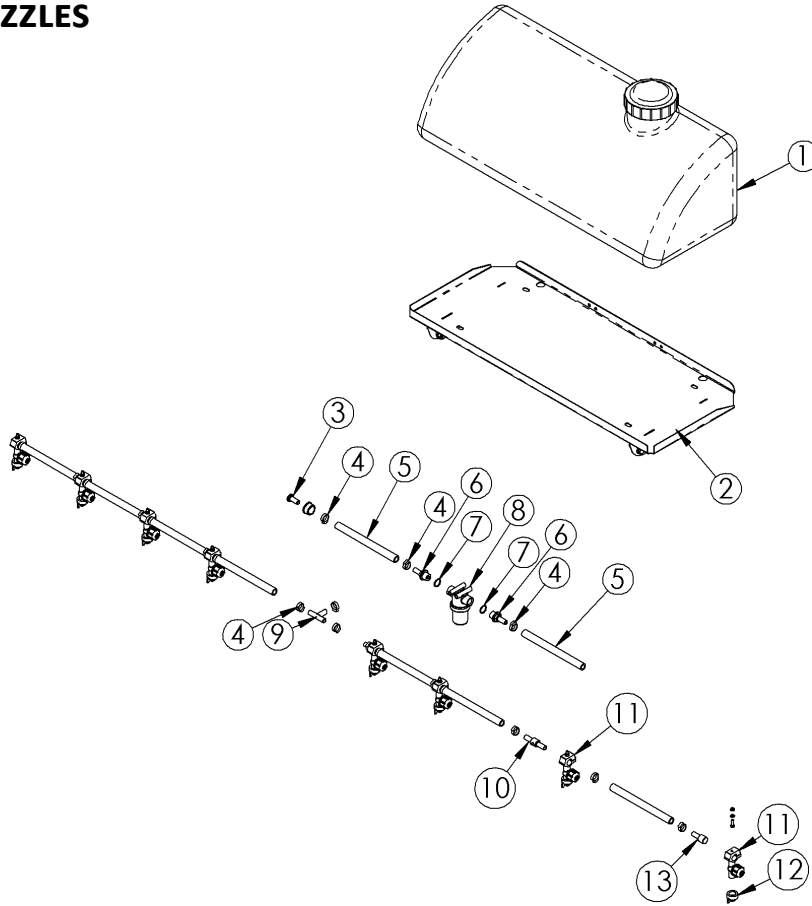
REF.	Part Number	Description	QTY.
1	T240-MFA	Mainframe Assembly	1
	G10 R280-50-220	Rubber Cable Grommet, Ø22mm Internal	1
	T240-DECAL	Decal Kit—T240	1
2	T240-RGA	Rear Guard Assembly	1
3	B236-117 M8	Rear Guard Handle	2
	M8-10CS	M8 x 10mm Cap Head Hex Socket Screw 8.8	4
	M8-000PW	M8 Plain Washer Form A	
4	F189-50 M10	M10 Lobed Hand Wheel	2
	M10-000PWG	M10 Plain Washer Form G	2
	M10-000CN	M10 Cage Nut	2
5	T240-SDA	Skid Assembly T240	2
	M16-50HB	M16 x 50mm Setscrew 8.8	6
	M16-000PW	M16 Plain Washer Form A	12
	M16-000NN	M16 Nylon Lock Nut	6
6	Z422285KR	Lower Linkage Pin with Nut CAT 1/2	2
	LP1KR	Linch 11mm	2
7	Z519130KR	Top Link Pin with Linch Pin CAT 1	1
8	W240-CA	Control Box Assembly	1
	MP29B	7 Pin Plug Assembly	1
9	MP31B	7 Pin Socket Assembly	1
	M5-40PP	M5 x 40 Set Screw Posi Head	3
	M5-000PW	M5 Plain Washer Form A	3
	M5-000NN	M5 Nylon Lock Nut	3

DRIVELINE & ROTOR COMPONENTS



REF.	Part Number	Description	QTY.
1	W240-BRA	Brush Rotor Assembly	1
2	ELC-100	Quick Snap Brush Section	22
3	ELC-30	Quick Snap End Lock Ring	1
4	W240-BRN	Brush Rotor Nut	1
5	UFCL205	Rotor Bearing	2
	M12-40HB	M12 x 40mm Bolt 8.8	4
	M12-000NN	M12 Nylon Lock Nut	4
	M12-000PW	M12 Plain Washer Form A	8
6	111.3763.20.00	Rotor Drive Motor	1
	M6-20HB	M6 x 20mm Setscrew 8.8	4
	M6-000PW	M6 Plain Washer Form A	4
7	SPZ63-1	Drive Pulley	2
	1108x25	Taper Lock Bush (Lower Pulley)	1
	1108x9	Taper Lock Bush (Upper Pulley)	1
8	XPZ910	Rotor Drive Belt	1
9	W240-DCA	Drive Cover Assembly	1
	M10-20HB	M10 x 20mm Setscrew	4
	M10-000PW	M10 Plain Washer Form A	4
	W240-RA	Carpet Roller Assembly comprising Items 10, 11 & 12	
10		Carpet Roller Bare	1
11	C2250-540	Carpet Roller Covering	1
12	W240-007PC	Carpet Fixing Strip	1
	4.8x12RIVET	4.8 x 12mm Pop Rivets	12

TANK AND NOZZLES



REF.	Part Number	Description	QTY.
1	131221	Tank Assembly c/w Pump & Hand Lance	1
	M8-20CS	M8x20 Cap Head Hex Socket Screw 8.8	4
	M8-000PWM	M8 Washer 'Mudguard Repair/ Penny Washer'	4
2	T240-TBA	Tank Bracket Assembly	1
	M12-30HB	M12 x 30 Setscrew 8.8	4
	M12-000PW	M12 Plain Washer Form A	8
	M12-000NN	M12 Nylon Lock Nut	4
3	105313	Hose Tail 12mm 3/4"	1
	2002030	Fly Nut 3/4"	1
	G40013	Flat Seal for Fly Nut	1
4	HC-G-PA66-BK	Herbie Clip Hose Clamp	21
5	SL60801250	PVC Sprayer Hose (Specify Required Quantity on order)	3.3m (Total)
6	1032213	Hose Barb 1/2"	2
7	G10041	O Ring for Hose Barb	2
8	3240T023	Filter Assembly including, bowl, housing and filter element	1
9	33T12	Triple Barb T Adaptor	1
10	4200-0211N	Twin Barb Boom Adaptor	6
11	4221NB122	Nozzle Body	8
	M6-20HB	M6 x 20mm Setscrew 8.8	8
	M6-000PW	M6 Plain Washer Form A	8
	M6-000NN	M6 Nylon Lock Nut	8
12	15RG2606	Nozzle Cap Green	8
	22700150	Nozzle Cap Seal O-ring	8
	ULD120015	Spray Nozzle Flat Fan	8
13	4200-0111N	Single Barb Boom Adaptor	