

6 5 4 3 2 1

D

D

C

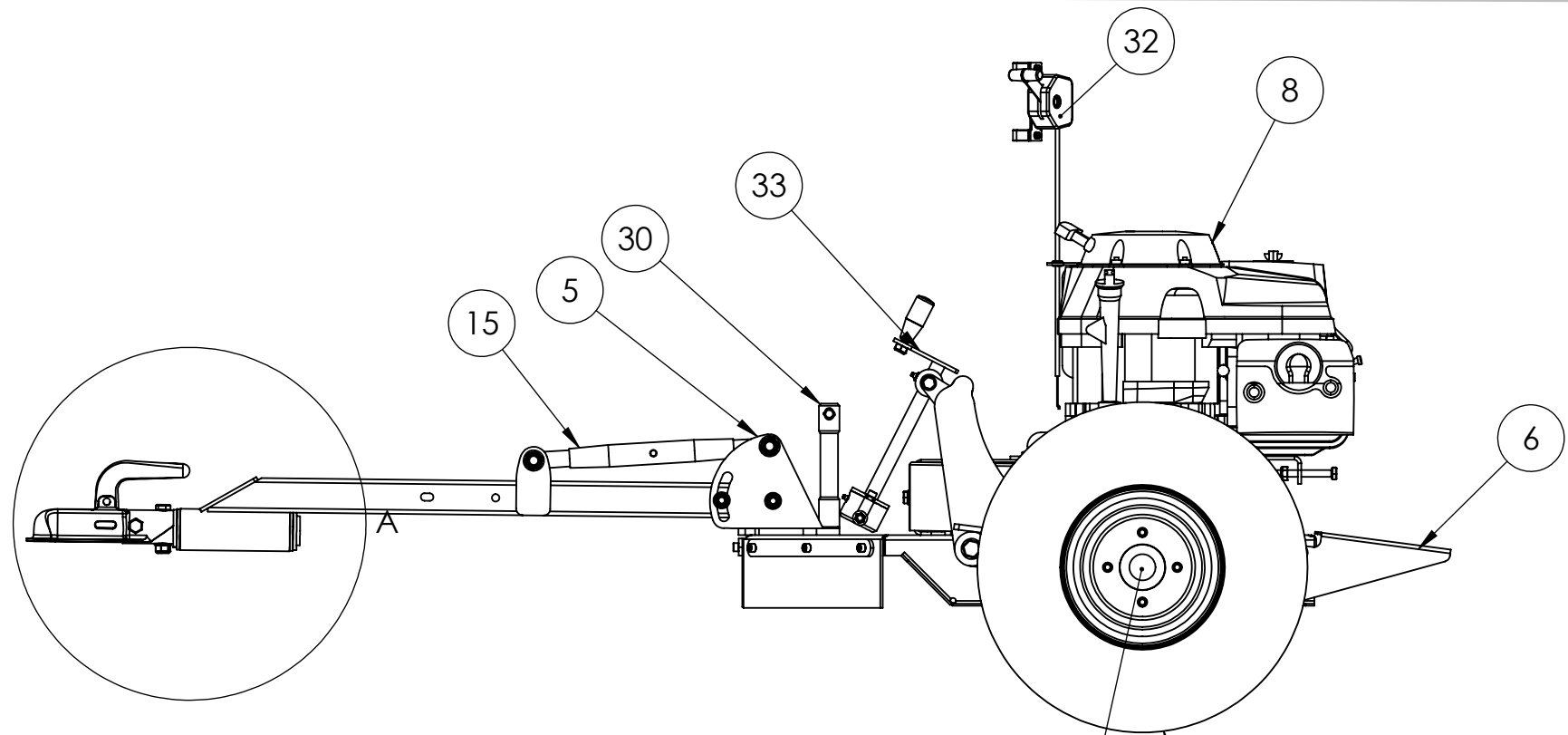
C

B

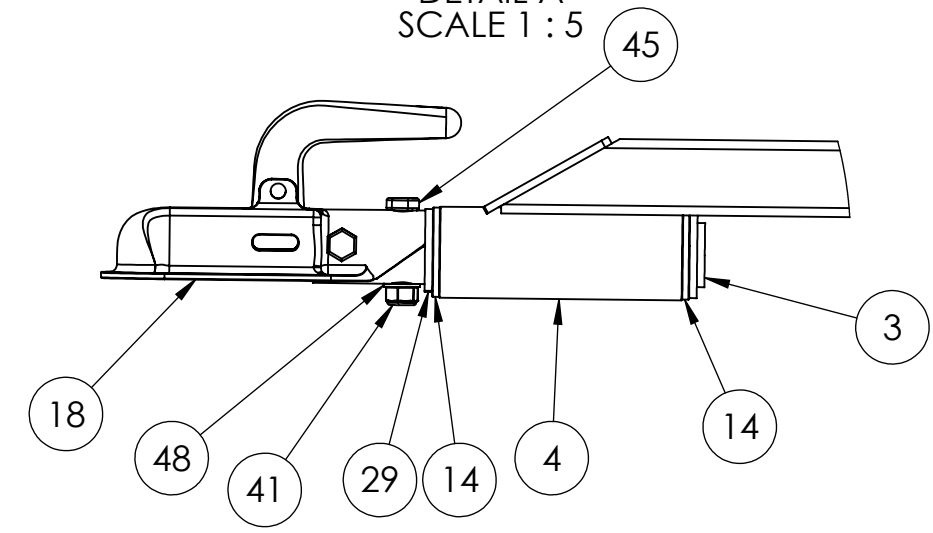
B

A

A

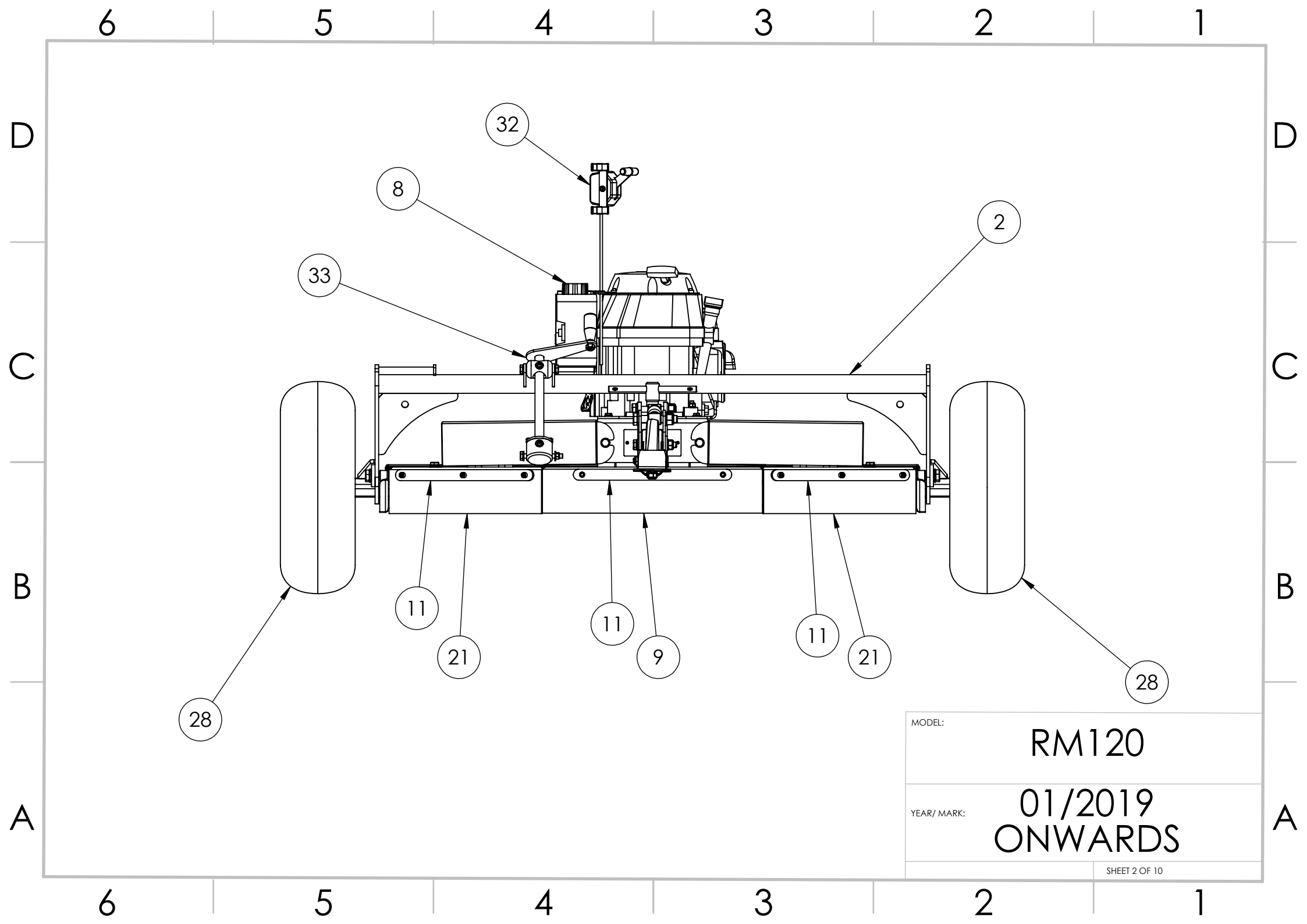


DETAIL A
SCALE 1 : 5

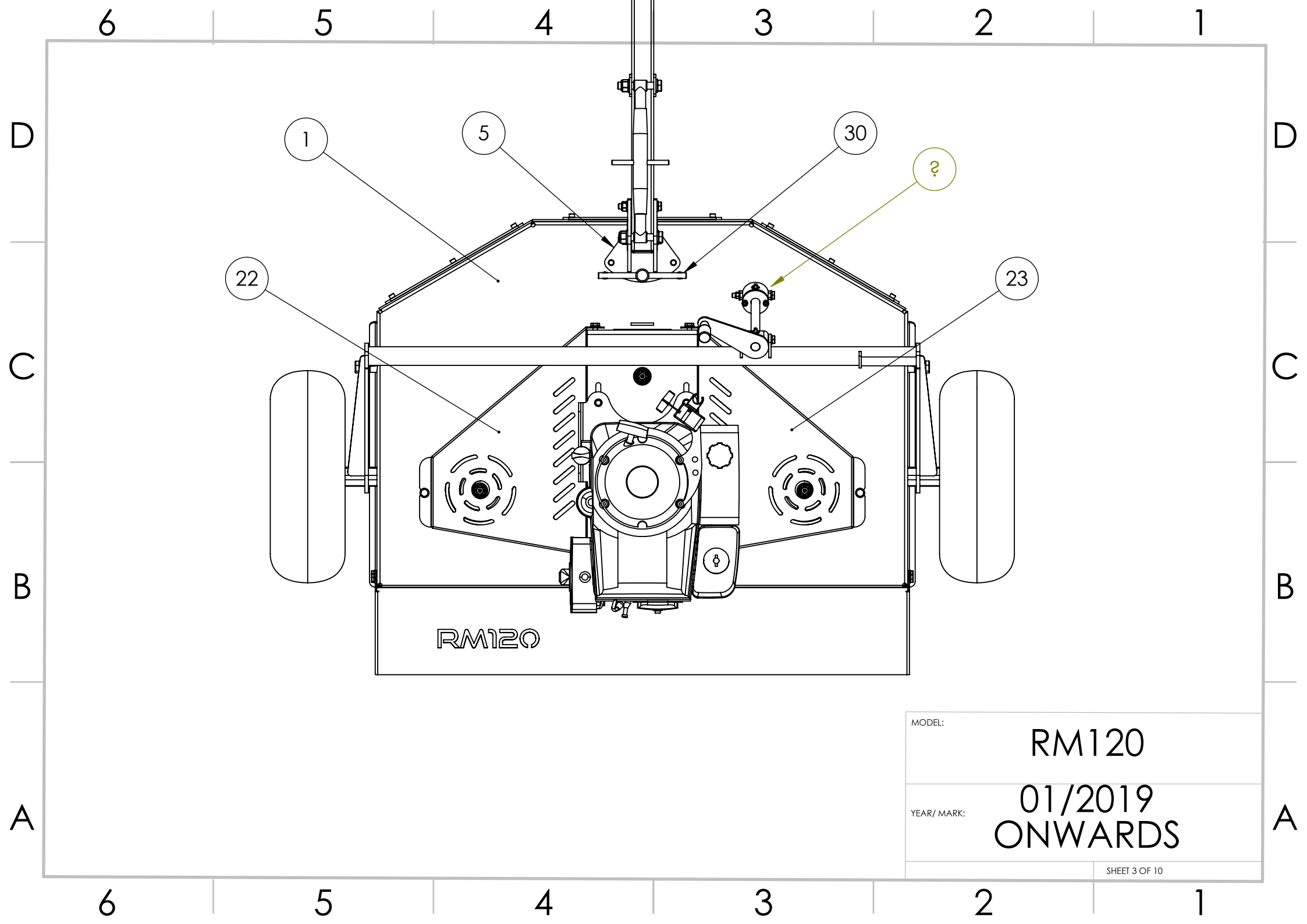


MODEL:	RM120
YEAR/ MARK:	01/2019 ONWARDS
SHEET 1 OF 10	

6 5 4 3 2 1



MODEL:	RM120
YEAR/ MARK:	01/2019 ONWARDS
SHEET 2 OF 10	



MODEL:	RM120
YEAR/ MARK:	01/2019 ONWARDS

BWJ50

DETAIL B
SCALE 1 : 5

B

62

58

MODEL:

RM120

YEAR/ MARK:

01/2019
ONWARDS

SHEET 4 OF 10

6

5

4

3

2

1

D

D

C

C

B

B

A

A

6

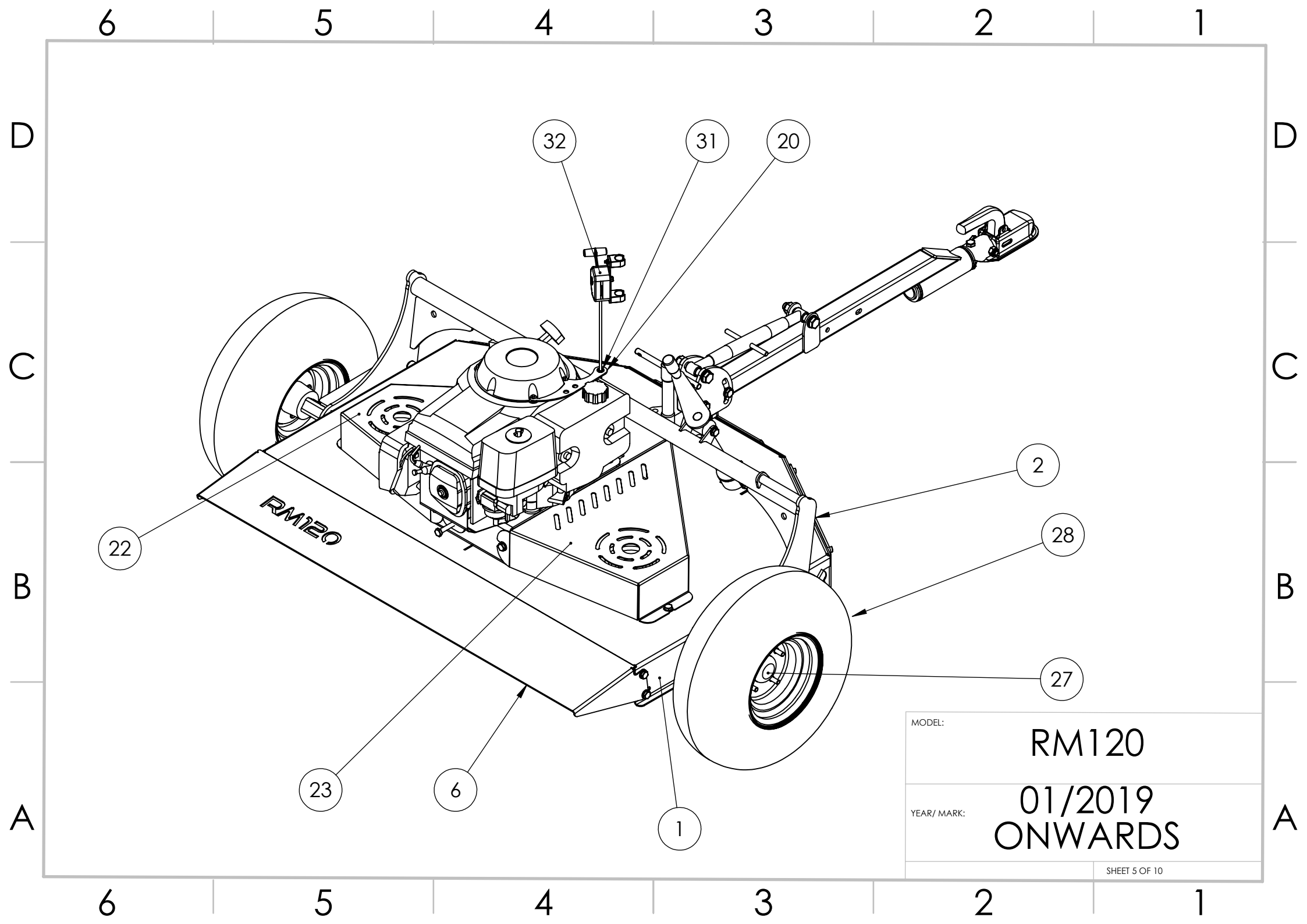
5

4

3

2

1



6

5

4

3

2

1

D

D

C

C

B

B

A

A

22

23

6

1

32

31

20

2

28

27

RM120

MODEL:

RM120

YEAR/ MARK:

01/2019
ONWARDS

SHEET 5 OF 10

6

5

4

3

2

1

6

5

4

3

2

1

D

D

C

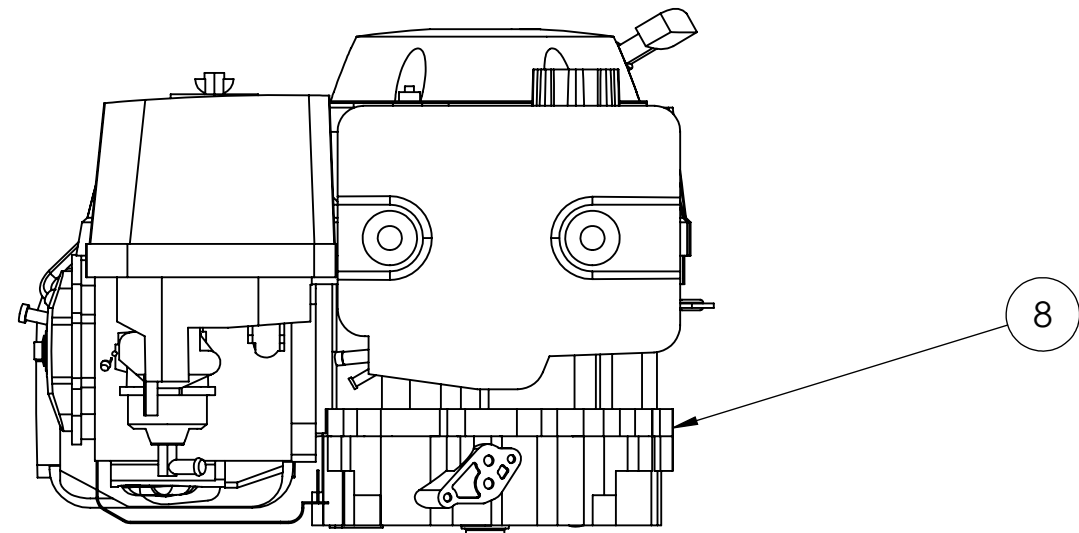
C

B

B

A

A



38

8

25

39

37

36

37

35

26

24

58

59

10

13

19

34

7

58

SEE NOTE A

MODEL:	RM120
YEAR/ MARK:	01/2019 ONWARDS
SHEET 6 OF 10	

6

5

4

3

2

1

6 5 4 3 2 1

D

D

C

C

B

B

A

A

ITEM NO.	PART NUMBER	DESCRIPTION	RM120/QTY.
1	RM120-MDA	Main Deck Assembly	1
2	RM120-AA	AXLE ASSEMBLY, RM120	1
3	SH-001	SWIVEL HITCH DRAWTUBE ASSEMBLY	1
4	DBA-900	DRAWBAR 900MM LONG 50X50X5MM BOX ASSEMBLY	1
5	RM-DMA	DRAWBAR MOUNT ASSEMBLY RM SERIES	1
6	RM120-RGA	REAR GUARD ASSEMBLY	1
7	RM-SA	SPINDLE ASSEMBLY, RM, 2 GROOVE	3
8	GXV390-T1-DN5	HONDA GXV390-T1-DN5-OH 13HP VERTICAL SHAFT ENGINE 1" PARALLEL SHAFT	1
9	RBR-500	RUBBER STRIP, 500MM LONG, 100X5MM INSERTION RUBBER	1
10	K125-1922	CLUTCH, 145MM OD, 4" 2 GROOVE PULLEY, 1" INPUT SHAFT	1
11	RM120-018	FIXING STRIP RM120	3
12	MFM-1618-12	IGUS BEARING 16MM ID, 18MM OD, 12MM THICKNESS TOP HAT STYLE MFM-1618-12	2
13	68856640	KEYWAY, 6X6X40MM FEATHERED ENDS STEEL	1
14	SH-002	SWIVEL HITCH BUSH	2
15	TL-1902000GP	TOP LINK CAT 0	1

MODEL:	RM120
YEAR/ MARK:	01/2019 ONWARDS
SHEET 7 OF 10	

6 5 4 3 2 1

6

5

4

3

2

1

D

D

C

C

B

B

A

A

ITEM NO.	PART NUMBER	DESCRIPTION	RM120/QTY.
16	MFM-1218-12	IGUS BEARING MFM 12MM ID 18MM OD 12MM THICK TOP HAT STYLE MFM-1218-12	1
17	BTC-5050T	BOX CAP THICK WALL 3-5MM TO SUIT 50X50	1
18	8802429X	8802429X COUPLING 50MM BALL TO SUIT 43MM TUBE	1
19	RM-ERA	ENGINE RISER ASSEMBLY, RM SERIES	1
20	RM120-009	THROTTLE CABLE HOLDER, RM SERIES	1
21	RBR-400	RUBBER STRIP, 400MM LONG, 100X5MM INSERTION RUBBER	2
22	RM120-BGL	BELT GUARD, LH, RM120	1
23	RM120-BGR	BELT GUARD, RH, RM120	1
24	RM120-074	CLUTCH WASHER RM SERIES	1
25	RM-ESA	ENGINE SLIDE PLATE ASSEMBLY, RM SERIES	1
26	RM-ECA	ENGINE CAPTIVE ASSEMBLY, RM SERIES	1
27	ADR-200H	HUB 4X4" SSP	2
28	WAT-1978-4x4	WHEEL AND TYRE ASSEMBLY 19X7X8 WANDA P308 ON 4X4" PCD	2
29	SH-003	SWIVEL HITCH WASHER 44MM ID 60MM OD 5MM THICK	1
30	SHS-12(ASSY)	SWIVEL HITCH SCREW ASSEMBLY 12MM THREAD	1

MODEL:

RM120

YEAR/ MARK:

01/2019
ONWARDS

SHEET 8 OF 10

6

5

4

3

2

1

6

5

4

3

2

1

ITEM NO.	PART NUMBER	DESCRIPTION	RM120/QTY.
31	498047	RUBBER GROMMET, PVC, 10MM ID, 16MM OD, 7MM THICK, 12MM HOLE DIA	1
32	RM-TA	THROTTLE ASSEMBLY COMPLETE, RM SERIES	1
33	RM120-HAC	HIEGHT ADJUSTMENT COMPLETE ASSEMBLY, RM120	1
34	SERIALPLATE	SERIAL PLATE CHAPMAN	1
35	M8-20CS	M8 x 20 Cap Head Set Screw	2
36	M8-000PW	M8 Plain Washer From A	29
37	M10-000NN	M10 NYLOCK NUT	10
38	M8-50HB	M8 x 50 Hex Head Bolt	1
39	M10-100HS	M10 x 100 Hex Head Set Screw	1
40	M8-20HS	M8 x 20 Hex Head Set Screw	2
41	M12-000NN	M12 NYLOCK NUT	5
42	M10-30HB	M10 x 30 Hex Head Bolt	12
43	M10-20HB	M10 x 20 Hex Head Bolt	4
44	M10-000PW	M10 PLAIN WASHER FORM A	26
45	M12-60HB	M12X60 HEX HEAD BOLT	1
46	M12-70HB	M12X70 HEX HEAD BOLT	1
47	M10-50HB	M10 x 50 Hex Head Bolt	1

MODEL:

RM120

YEAR/ MARK:

01/2019
ONWARDS

SHEET 9 OF 10

6

5

4

3

2

1

D

D

C

C

B

B

A

A

6 5 4 3 2 1

D

D

C

C

B

B

A

A

ITEM NO.	PART NUMBER	DESCRIPTION	RM120/QTY.
48	M12-000PW	M12 PLAIN WASHER FORM A	7
49	M12-90HB	M12X90MM HEX HEAD BOLT	2
50	M16-90HB	M16 x 90 Hex Head Bolt	2
51	M16-000PW	M16 plain Washer	6
52	M16-000NN	M16 Nylock Nut	4
53	M10-90HS	M10x90 Hex Head Set Screw	1
54	M8-000NN	M8 NYLOCK NUT	14
55	M8-30CS	M8 x 30 Cap Head Set Screw	20
56	M10-000CN	M10 Cage Nut	2
57	M8-000LN	M8 Lug Nut	8
58	7-16 20 x 1 1-4 UNF	7-16 x1 1-4 UNF "0 Hex Head Bolt	4
59	M10-000PWG	M10 Plain Washer Form G	1
60	M16-150HB	M16x150 Hex Head Bolt	2
61	M8-40CS	M8 x 40 Cap Head Set Screw	1
62	RM150-080	BLADE WASHER, NEW TYPE CUTTER BLADE, 5MM	3
63	6214	Blade 17" x 5/8"	3

NOTES:

A: UP TO 06/2018 CLUTCH HAS A 125MM OUTSIDE DIAMETER. FROM 06/2017 CLUTCH HAS A 145MM OUTSIDE DIAMETER. 145MM DIAMETER CLUTCHES CANNOT BE FITTED TO OLDER MACHINES DUE TO STEELWORK CLEARANCE. IN THIS CASE A SMALLER 125MM DIAMETER CLUTCH CAN BE SUPPLIED.

MODEL:	RM120
YEAR/ MARK:	01/2019 ONWARDS
SHEET 10 OF 10	

6 5 4 3 2 1