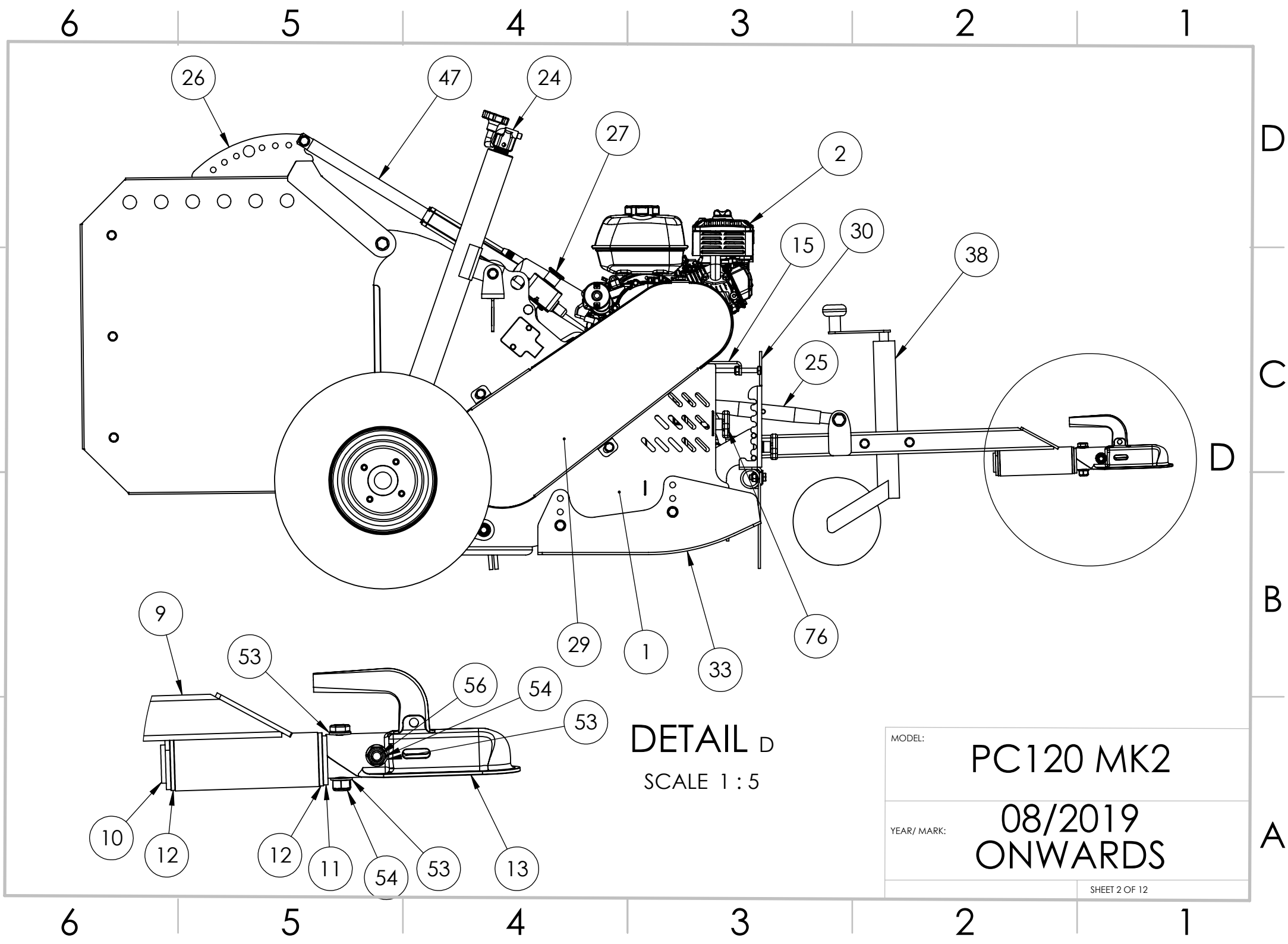


MODEL: PC120 MK2

YEAR/ MARK: 08/2019 ONWARDS



DETAIL D
SCALE 1 : 5

| | |
|---------------|--------------------|
| MODEL: | PC120 MK2 |
| YEAR/ MARK: | 08/2019 ONWARDS |
| SHEET 2 OF 12 | |

6

5

4

3

2

1

D

D

C

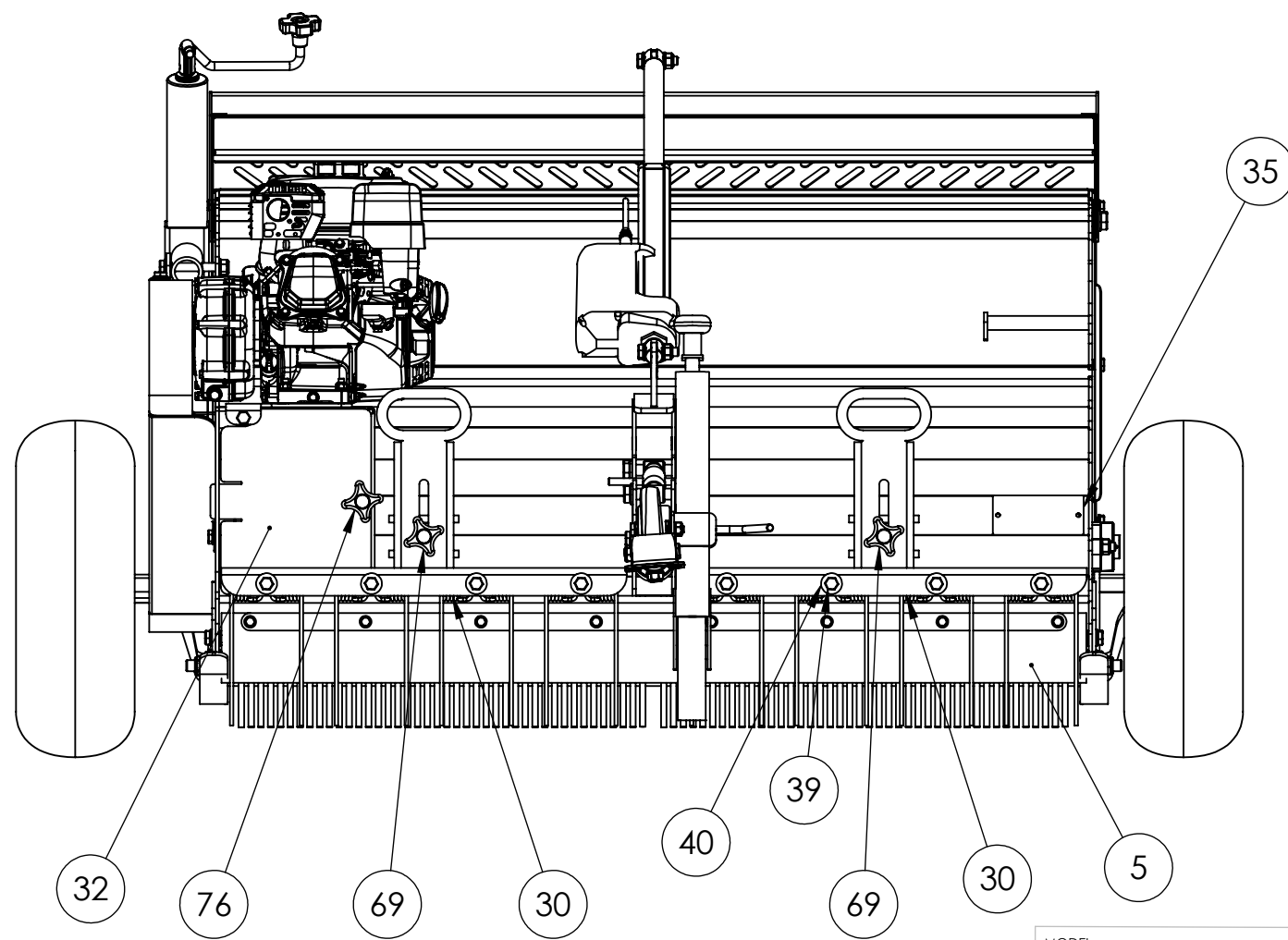
C

B

B

A

A



MODEL: PC120 MK2

YEAR/ MARK: 08/2019 ONWARDS

6

5

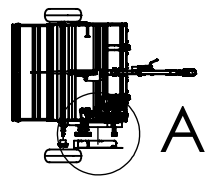
4

3

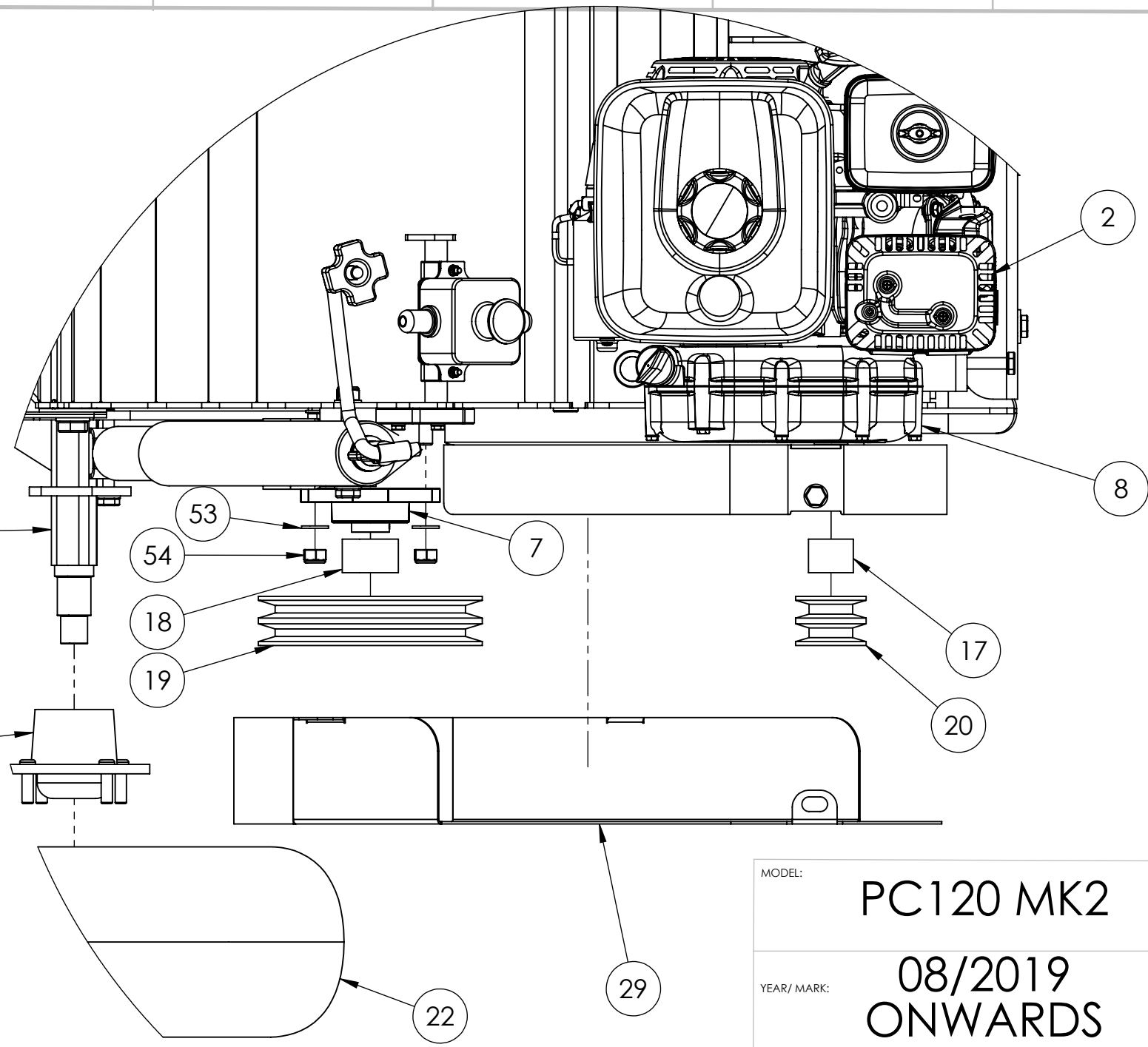
2

1

6 5 4 3 2 1



DETAIL A
SCALE 1:5



REPLACEMENT BEARINGS
AVAILABLE SEPERATELY
PART NO. BR-02 SP
1 OFF. PER HUB
(SEE NOTE 3)

MODEL: PC120 MK2
YEAR/ MARK: 08/2019 ONWARDS

6 5 4 3 2 1

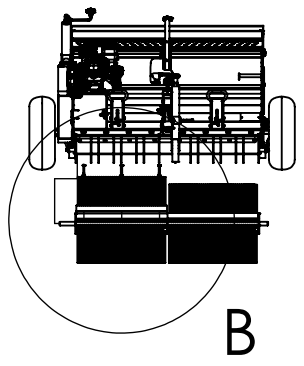
D
C
B
A

D
C
B
A

6 5 4 3 2 1

D

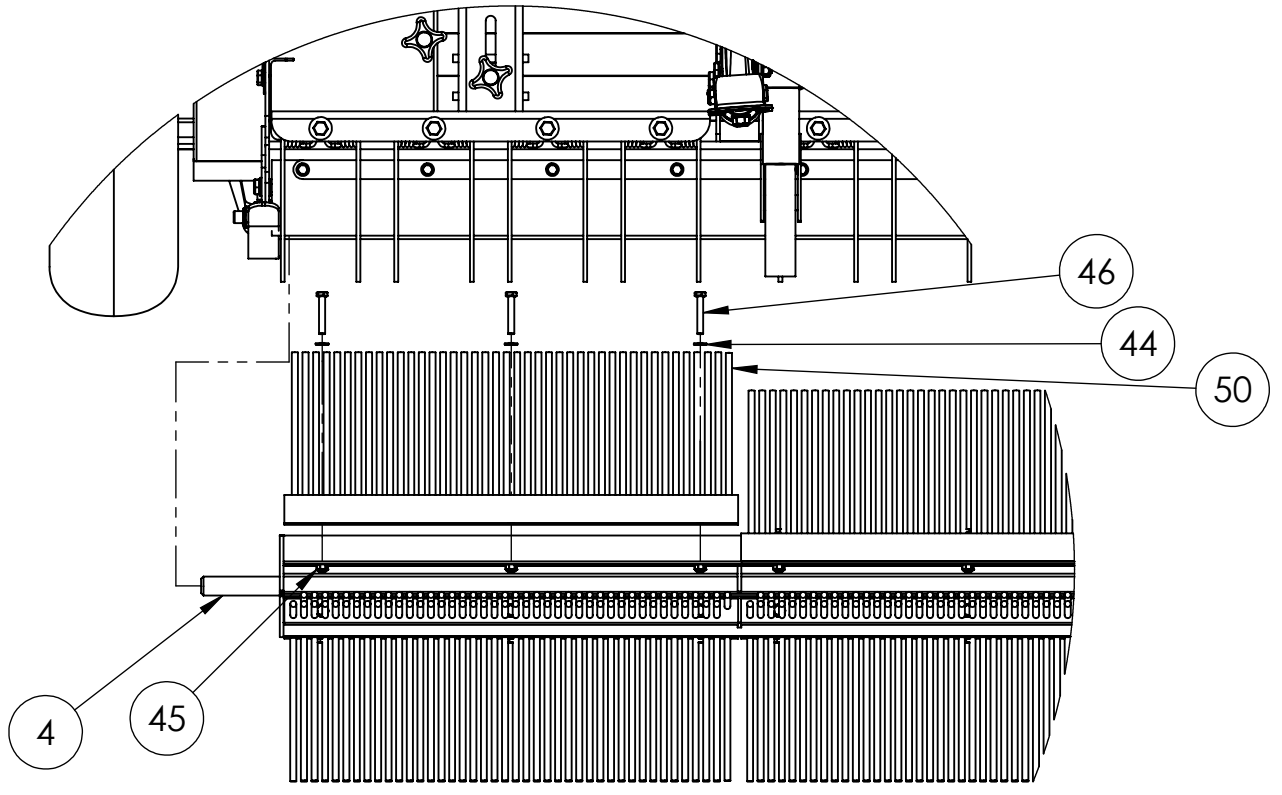
D



B

C

C



B

B

DETAIL B

SCALE 1 : 10

| | |
|--------|-----------|
| MODEL: | PC120 MK6 |
|--------|-----------|

| | |
|-------------|--------------------|
| YEAR/ MARK: | 08/2019 ONWARDS |
|-------------|--------------------|

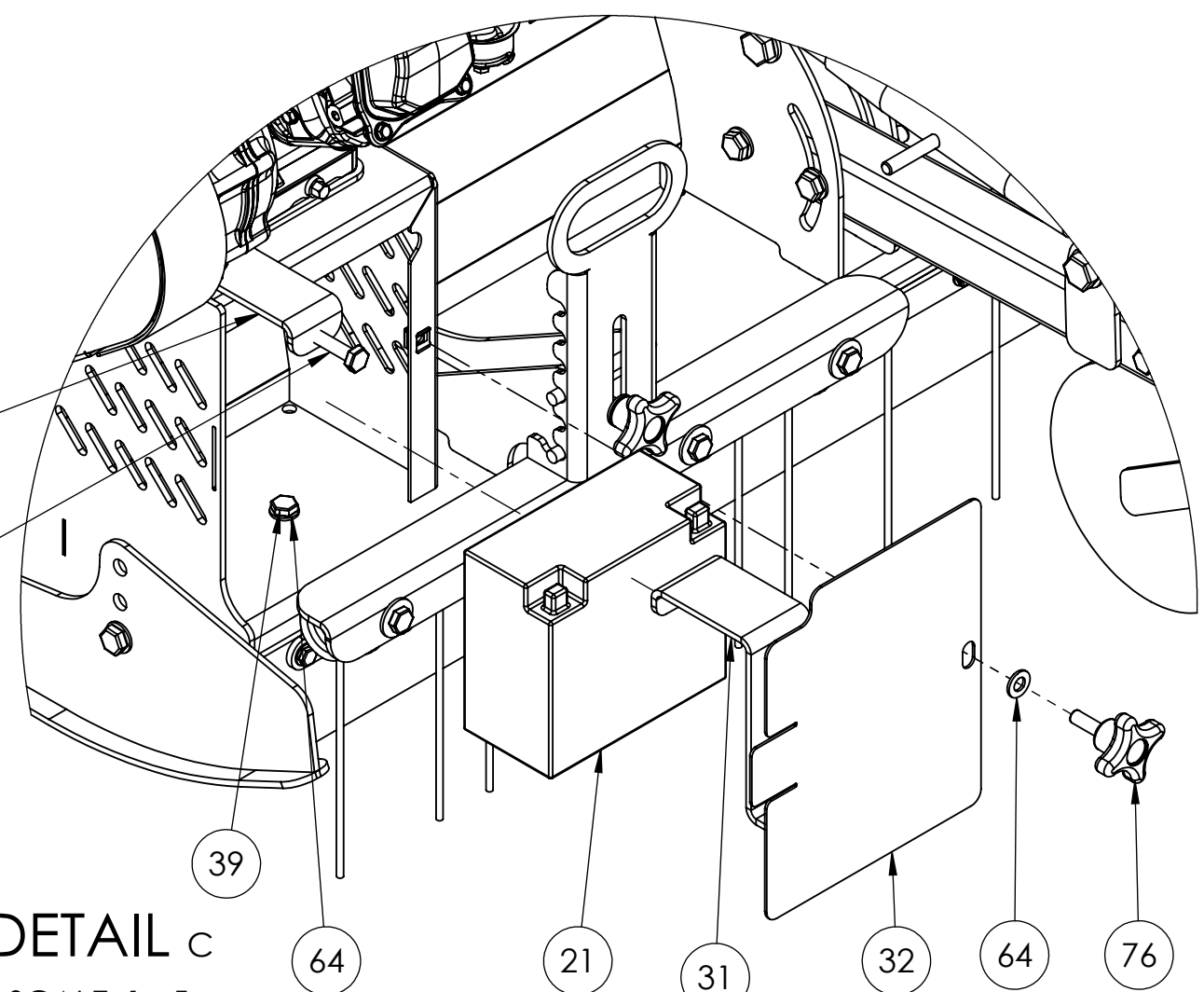
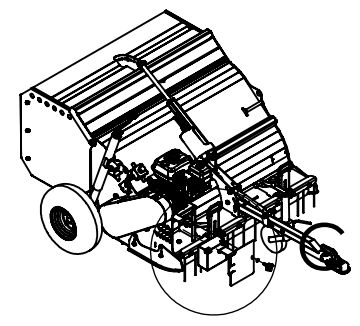
6 5 4 3 2 1

A

A

6 5 4 3 2 1

D
C
B
A



DETAIL C
SCALE 1 : 5

| | |
|------------------------------|--------------------|
| MODEL: | PC120 MK2 |
| YEAR/ MARK: | 08/2019 ONWARDS |
| <small>SHEET 6 OF 12</small> | |

6 5 4 3 2 1

D
C
B
A

6

5

4

3

2

1

| ITEM NO. | PART NUMBER | Description | QTY |
|----------|-------------------|---|-----|
| 1 | PC120-MFA | MAIN FRAME ASSEMBLY, PC120 | 1 |
| 2 | GX200UT2-QX-E5-OH | HONDA GX200 6.5HP ENGINE, ELECTRIC START | 1 |
| 3 | PC120-ABA | AXLE BAR ASSEMBLY, PC120 | 1 |
| 4 | PC120-MRA | MAIN ROTOR ASSEMBLY, PC120 | 1 |
| 5 | PC120-RUBBER | RUBBER STRIP, PC120, 5MMX100MM BLACK RUBBER | 1 |
| 6 | PC120-RSB | RUBBER STRIP BRACKET ASSEMBLY, PC120 | 1 |
| 7 | UCFL205 | BEARING, OVAL, HOUSED, 25MM SHAFT | 2 |
| 8 | GB2-7575 | Noram Reduction Gearbox Assembly | 1 |
| 9 | DBA-900 | DRAWBAR 900MM LONG 50X50X5MM BOX ASSEMBLY | 1 |
| 10 | SH-001 | SWIVEL HITCH DRAWTUBE ASSEMBLY | 1 |
| 11 | SH-003 | SWIVEL HITCH WASHER 44MM ID 60MM OD 5MM THICK | 1 |
| 12 | SH-002 | SWIVEL HITCH BUSH | 2 |
| 13 | 8802429X | 8802429X COUPLING 50MM BALL TO SUIT 43MM TUBE | 1 |

D

D

C

C

B

B

A

A

| | |
|------------------------------|--------------------|
| MODEL: | PC120 MK2 |
| YEAR/ MARK: | 08/2019 ONWARDS |
| <small>SHEET 7 OF 12</small> | |

6

5

4

3

2

1

| ITEM NO. | PART NUMBER | Description | QTY |
|----------|---------------|--|-----|
| 14 | BTC-5050T | BOX CAP THICK WALL 3-5MM TO SUIT 50X50 | 1 |
| 15 | PC120-ESA | ENGINE SLIDE PLATE ASSEMBLY, 5MM | 1 |
| 16 | PC120-ECA | ENGINE CAPTIVE ASSEMBLY, PC120 | 1 |
| 17 | 1108-3-4 | 1210 TAPERLOCK TO SUIT 3/4"MM OD SHAFT | 1 |
| 18 | 2012-25 | 2012 TAPERLOCK TO SUIT 25MM ID SHAFT | 1 |
| 19 | SPZ200-2 | SPA160/2 PULLEY, 2 GROOVE, 160MM PCD, A SECTION TO SUIT 2012 TAPERLOCK | 1 |
| 20 | SPZ63-2 | SPA80/2 PULLEY, 2 GROOVE, 80MM PCD, A SECTION TO SUIT 1210 TAPERLOCK | 1 |
| 21 | 518901026a514 | BATTERY POWERSPORTS AGM 12V 18AH | 1 |
| 22 | WAT-1978-4x4 | WHEEL AND TYRE ASSEMBLY 19X7X8 WANDA P308 ON 4X4" PCD | 2 |
| 23 | ADR-200H | HUB 4X4" SSP | 2 |
| 24 | HAI-6091 | Height Adjustment Jack Rev c | 1 |
| 25 | TL-1902000GP | TOP LINK CAT 0 | 1 |

MODEL: **PC120 MK2**

YEAR/ MARK: **08/2019 ONWARDS**

SHEET 8 OF 12

6

5

4

3

2

1

| ITEM NO. | PART NUMBER | Description | QTY |
|----------|-----------------|--|-----|
| 26 | PC120-VHA | VENTED HOPPER ASSEMBLY, PC120 | 1 |
| 27 | ASSY 03592 | ROCKER SWITCH, MOM-OFF-MOM, DP, IN YELLOW HOUSING 76MMX76MM | 1 |
| 28 | G10 R280-50-220 | GROMMET, RUBBER 22MM ID TO SUIT 28MM HOLE, 5MM THICK | 1 |
| 29 | PC120-BGA | BELT GUARD ASSEMBLY, PC120 | 1 |
| 30 | PC120-TBA | TINE BAR ASSEMBLY, PC120 | 2 |
| 31 | PC120-BSA | BATTERY STRAP BRACKET ASSEMBLY, PC120 | 1 |
| 32 | PC120-BHC | BATTERY HOUSING COVER, PC120 | 1 |
| 33 | PC120-SDA | SKID DEFLECTOR ASSEMBLY, PC120 | 2 |
| 34 | GX200 RECTIFIER | GX200 RECTIFIER | 1 |
| 35 | SERIALPLATE | SERIAL PLATE CHAPMAN | 1 |
| 36 | OPS22 | PIPE CLIP, OPEN, 22MM, TALON, WHITE NYLON | 2 |
| 37 | MG250-060 | MG250 ELECTRIC LIFT CONTROL STATION BACKPLATE, 2MM | 1 |
| 38 | STR1620 | JOCKEY WHEEL AND CLAMP ASSEMBLY, LIGHT DUTY | 1 |

MODEL:

PC120 MK2

YEAR/ MARK:

08/2019
ONWARDS

SHEET 9 OF 12

6

5

4

3

2

1

D

D

C

C

B

B

A

A

6

5

4

3

2

1

| ITEM NO. | PART NUMBER | Description | QTY |
|----------|-----------------|---|-----|
| 39 | M10-30HB | M10 x 30 Hex Head Bolt | 15 |
| 40 | M10-000PWG | M10 Plain Washer Form G | 16 |
| 41 | M10-000NN | M10 NYLOCK NUT | 11 |
| 42 | M8-000LN | M8 Lug Nut | 8 |
| 43 | M8-30HS | M8 x 30 Hex Head Set Screw | 8 |
| 44 | M8-000PW | M8 Plain Washer From A | 40 |
| 45 | M8-000NN | M8 NYLOCK NUT | 25 |
| 46 | M8-50HB | M8 x 50 Hex Head Bolt | 28 |
| 47 | 363C85+20300A24 | ACTUATOR, LINAK, 6800N, 300MM STROKE, 12VDC | 1 |
| 48 | TS-1295 | GX200 THROTTLE SPACER 12MM | 1 |
| 49 | G10-R175-51-127 | RUBBER GROMMET, OPEN, 12.7M ID, 21.9MM OD, TO SUIT 17.5MM PANEL HOLE, 5MM PANEL | 2 |
| 50 | BBS-600 | BRUSH SECTION SINGLE, 600MM LONG | 8 |
| 51 | 781943M1N | TINE, PICK UP, 207MMLONG, 34MM DIA CURL, 105MM WIDTH, 5MM DIA | 8 |
| 52 | M12-40HB | M12 x 40 Hex Head Bolt | 4 |
| 53 | M12-000PW | M12 PLAIN WASHER FORM A | 32 |

MODEL:

PC120 MK2

YEAR/ MARK:

08/2019
ONWARDS

SHEET 10 OF 12

6

5

4

3

2

1

D

D

C

C

B

B

A

A

6

5

4

3

2

1

| ITEM NO. | PART NUMBER | Description | QTY |
|----------|-------------------------|---|-----|
| 54 | M12-000NN | M12 NYLOCK NUT | 15 |
| 55 | M12-60HB | M12X60 HEX HEAD BOLT | 1 |
| 56 | M12-70HB | M12X70 HEX HEAD BOLT | 1 |
| 57 | M10-100HS | M10 x 100 Hex Head Set Screw | 1 |
| 58 | M16-50HB | M16 x 50 Hex Head Bolt | 4 |
| 59 | M16-000PW | M16 plain Washer | 12 |
| 60 | M16-000NN | M16 Nylock Nut | 6 |
| 61 | M12-90HB | M12X90MM HEX HEAD BOLT | 3 |
| 62 | M16-90HB | M16 x 90 Hex Head Bolt | 2 |
| 63 | M10-80HB | M10 x 80 Hex Head Bolt | 1 |
| 64 | M10-000PW | M10 PLAIN WASHER FORM A | 16 |
| 65 | EPN250-M20X1.5 BLACK | NYLON CABLE GLAND, M20X1.5MM TO SUIT 6-12MM CABLE | 2 |
| 66 | EPN350-M20X1.5 BLACK | NYLON LOCK NUT TO SUIT M20 GLAND | 2 |
| 67 | M10-000CN | M10 Cage Nut | 8 |
| 68 | M10-20HB | M10 x 20 Hex Head Bolt | 3 |
| 69 | F189-60 M12 | HAND WHEEL, M12, 30MM THREAD | 2 |
| 70 | M5-20PP | M5 x 20 Pan Head Pozi Screw | 4 |

MODEL:

PC120 MK2

YEAR/ MARK:

08/2019
ONWARDS

SHEET 11 OF 12

6

5

4

3

2

1

D

D

C

C

B

B

A

A

6

5

4

3

2

1

| ITEM NO. | PART NUMBER | Description | QTY |
|----------|-------------|--------------------------------|-----|
| 71 | M5-000PW | M5 Plain Washer Form A | 4 |
| 72 | M5-000NN | M5 Nylock Nut | 2 |
| 73 | M6-20HB | M6 x 20 Hex Head Bolt | 2 |
| 74 | M6-000PW | M6 Plain Washer Form A | 2 |
| 75 | M12-30HB | M12 x 30 Hex Head Bolt | 4 |
| 76 | F189-50 M10 | HAND WHEEL, M10, 4 LOBE HANDLE | 1 |
| 77 | M12-50HB | M12 x 50 Hex Head Bolt | 2 |
| 78 | M10-70HB | M10 x 70 Hex Head Bolt | 2 |

D

D

C

C

B

B

A

A

NOTES:

1. ELECTRICAL DIAGRAM / COMPONENTS NOT SHOWN, PLEASE CONSULT ELECTRICAL DRAWINGS
2. FOR ADVISE OR SMALL PARTS NOT LISTED, EG. DECALS, PLEASE CONTACT CHAPMAN DIRECTLY
3. REPLACEMENT BEARINGS CAN BE SUPPLIED SEPERATELY, PART NO. BR-02 SP, 1 OFF. PER HUB. HUB UNITS COME FITTED TO AXLE ASSEMBLIES ALONG WITH BEARINGS IF REPLACEMENT AXLE(S) ARE ORDERED.

MODEL:

PC120 MK2

YEAR/ MARK:

08/2019
ONWARDS

SHEET 12 OF 12

6

5

4

3

2

1