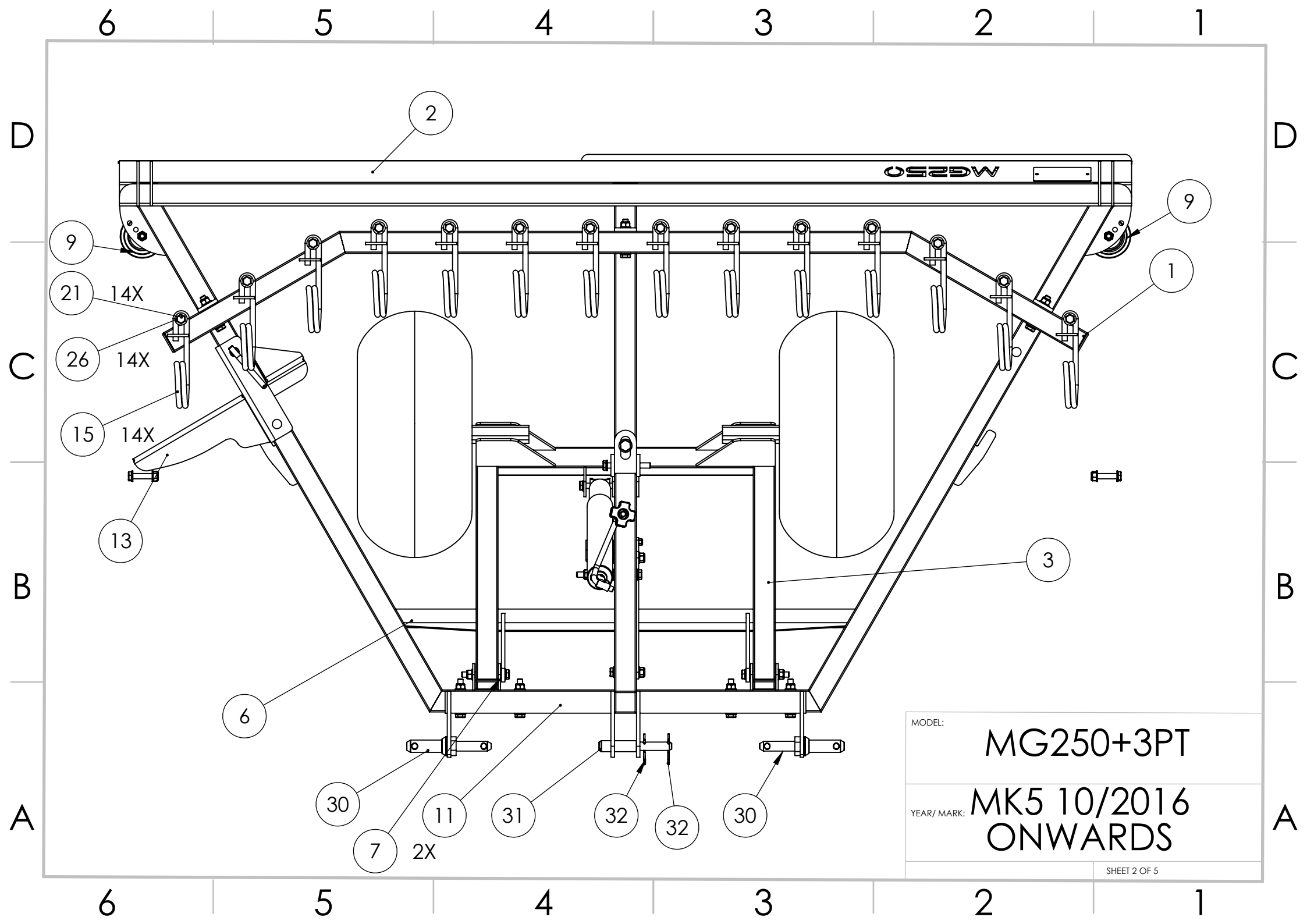


MODEL:

MG250 + 3PT

YEAR/ MARK:

MK5 10/2016  
ONWARDS



MODEL:

MG250+3PT

YEAR/ MARK:

MK5 10/2016  
ONWARDS

6

5

4

3

2

1

D

D

C

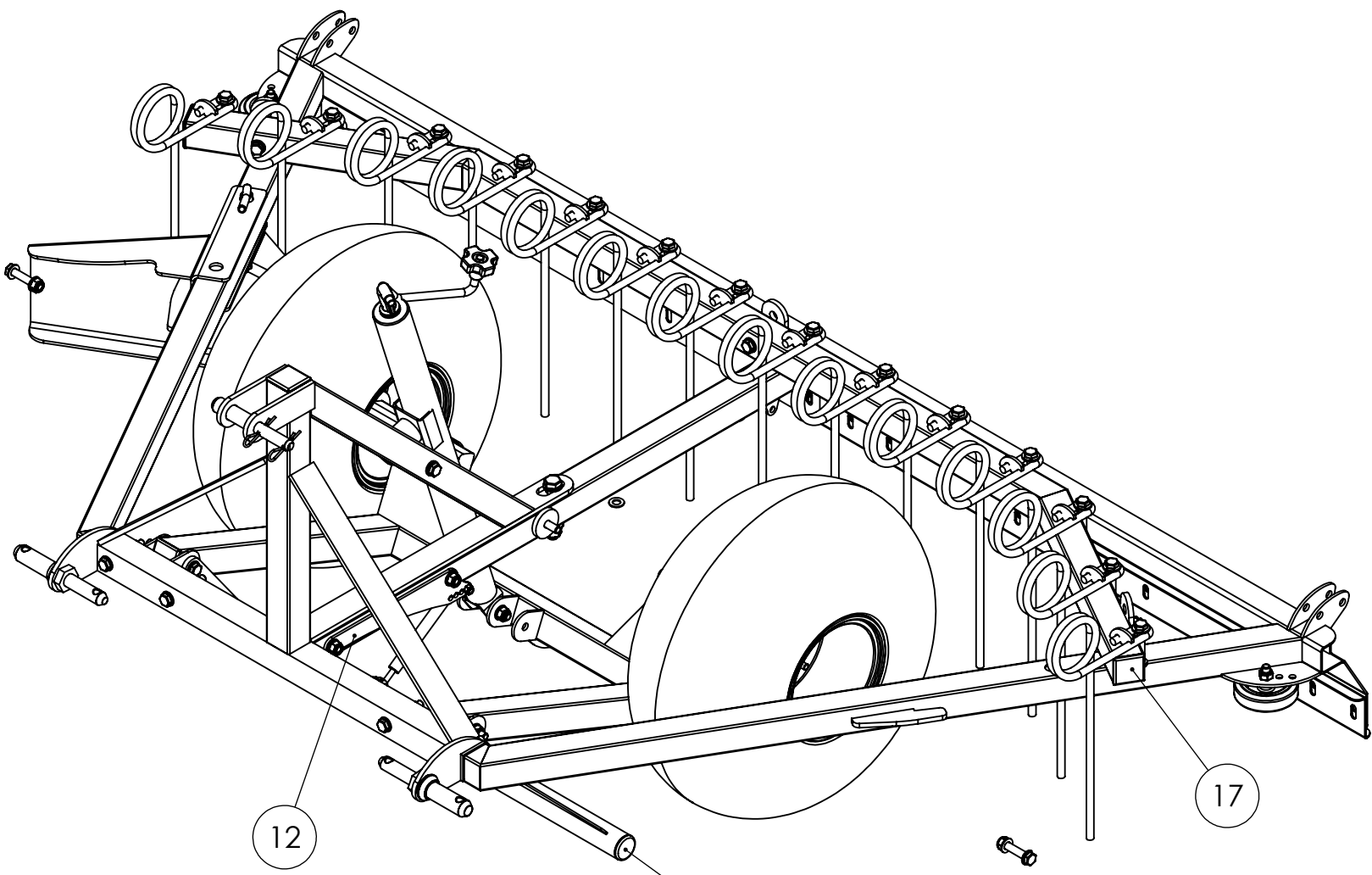
C

B

B

A

A



MODEL:	MG250+3PT
YEAR/ MARK:	MK5 10/2016 ONWARDS
SHEET 3 OF 5	

6

5

4

3

2

1

6 5 4 3 2 1

ITEM NO.	PART NUMBER	DESCRIPTION	MG250+3PT/QTY.
1	MG250-TBA	TINE BAR ASSEMBLY	1
2	MG250-MFA	MAIN FRAME ASSEMBLY	1
3	MG250-AFA	AXLE FRAME ASSEMBLY	1
4	ADR-200H	HUB 4X4" SSP	2
5	WAT-22118W	22X11X8 WHEEL ASSEMBLY 4X4" PCD	2
6	MG250-LBA	LEVELLING BAR ASSEMBLY	1
7	GFM-1214-06	BEARING 12MM ID 14MM OD 6MM DEPTH	2
8	GST-200N	GAS STRUT 200N 1245-7383	1
9	81100GP	STEEL CASTOR WHEEL 100MM OD 12MM ID RUBBER TYRE	2
10	HAJ-6091	Height Adjustment Jack Rev c	1
11	MG250-3PA	3 Point Linkage Assembly	1
12	MG250-059	Gas Strut Mount	1
13	MG250-PBA	PERIMETER BLADE ASSEMBLY	1
14	Z519130KR	LINKAGE PIN WITH CHAIN 130MMX19MM	1
15	HAR-141Z	TINE HAR141Z 13MM ID RED	14
16	BTC-42.4	42.4MM TUBE CAP TO SUIT UP TO 3MM WALL	2

MODEL: **MG250+3PT**

YEAR/ MARK: **MK5 10/2016 ONWARDS**

6 5 4 3 2 1

D

D

C

C

B

B

A

A

6 5 4 3 2 1

D

D

C

C

B

B

A

A

ITEM NO.	PART NUMBER	DESCRIPTION	MG250+3PT/QTY.
17	BTC-5050	BOX CAP TO SUIT 50X50MM BOX UP TO 3MM WALL	7
18	M12-90HB	M12X90MM HEX HEAD BOLT	1
19	M12-60HB	M12X60 HEX HEAD BOLT	4
20	M12-000NN	M12 NYLOCK NUT	17
21	M12-70HB	M12X70 HEX HEAD BOLT	16
22	M12-000PW	M12 PLAIN WASHER FORM A	40
23	M12-80HB	M12X80MM HEX HEAD BOLT	7
24	M8-000NN	M8 NYLOCK NUT	2
25	M12-100HB	M12X100MM HEX HEAD BOLT	3
26	M12-000PWC	M12 PLAIN WASHER FORM C	14
27	M16-100HB	M16 x 100 Hex Head Bolt	1
28	M16-000PW	M16 plain Washer	2
29	M16-000NN	M16 Nylock Nut	1
30	Z422285RK	Lower Link Pin Cat 1/2	2
31	Z625168KR	Linkage Pin Cat 1/2	1
32	CL4EKR	R Clip 4mm	2
33	M12-140HB	M12X140MM HEX HEAD BOLT	1
34	MG250-052	BLADE WEAR STRIP SHPRT, 3MM	1
35	MG250-053	BLADE WEAR STRIP LONG, 3MM	1
36	SERIALPLATE	SERIAL PLATE CHAPMAN	

MODEL: MG250+3PT

YEAR/ MARK: MK5 10/2016 ONWARDS

6 5 4 3 2 1