

MODEL:

FR150

YEAR/ MARK:

MK1 2022
ONWARDS

SHEET 1 OF 3

6 5 4 3 2 1

D

D

C

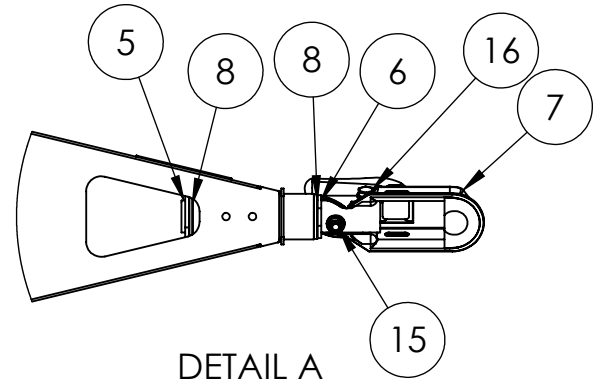
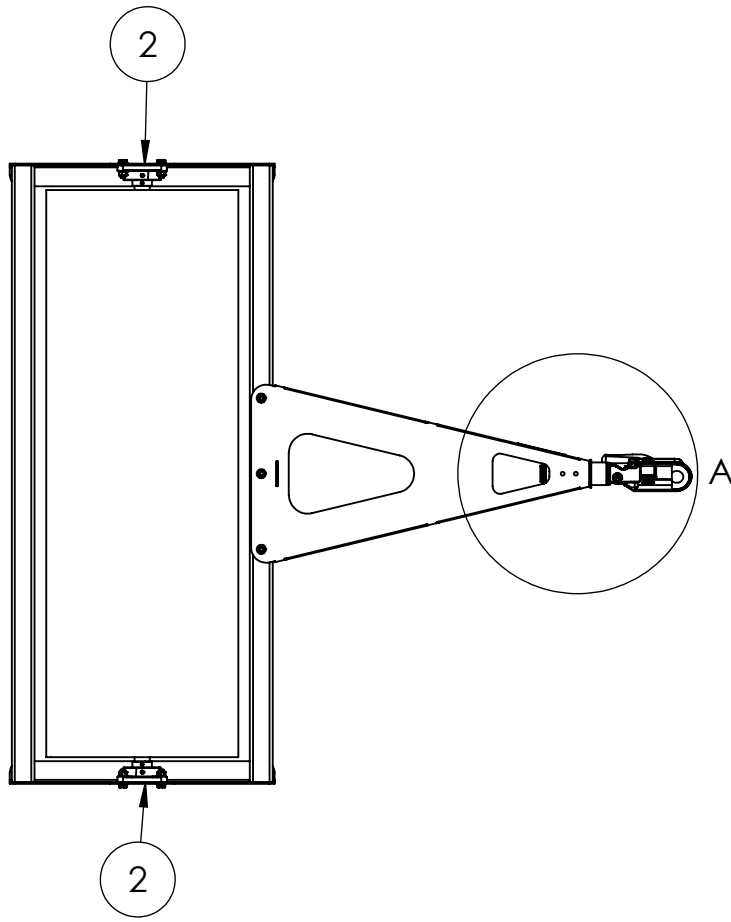
C

B

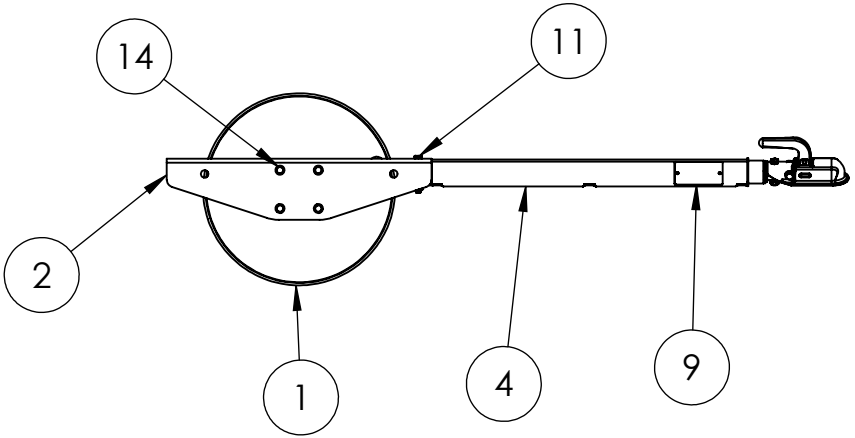
B

A

A



DETAIL A
SCALE 1 : 10



MODEL:	FR150
YEAR/ MARK:	MK1 2022 ONWARDS
SHEET 2 OF 3	

6 5 4 3 2 1

ITEM NO.	PART NUMBER	DESCRIPTION	QTY.
1	FR150-MRA	MAIN ROLLER ASSEMBLY, FR150	1
2	FR150-MFA	MAIN FRAME ASSEMBLY, FR150	1
3	SF40-RHP	BEARING, 40MM ID, 4 BOLT FLANGED, SKF / RHP	2
4	FR150-DBA	DRAWBAR ASSEMBLY, FR150	1
5	SH-001	SWIVEL HITCH DRAWTUBE ASSEMBLY, REV C	1
6	SH-003	SWIVEL HITCH WASHER 44MM ID 60MM OD 5MM THICK	1
7	8802429X	8802429X COUPLING 50MM BALL TO SUIT 43MM TUBE	1
8	SH-002	SWIVEL HITCH BUSH, DELRIN, REV C	2
9	SERIALPLATE	SERIAL PLATE CHAPMAN	1
10	M16-50HB	M16 x 50 Hex Head Bolt	2
11	M12-90HB	M12X90MM HEX HEAD BOLT	3
12	M12-000PW	M12 PLAIN WASHER FORM A	25
13	M12-000NN	M12 NYLOCK NUT	13
14	M12-40HB	M12 x 40 Hex Head Bolt	8
15	M12-60HB	M12X60 HEX HEAD BOLT	1
16	M12-70HB	M12X70 HEX HEAD BOLT	1

MODEL:	FR150
YEAR/ MARK:	MK1 2022 ONWARDS
SHEET 3 OF 3	