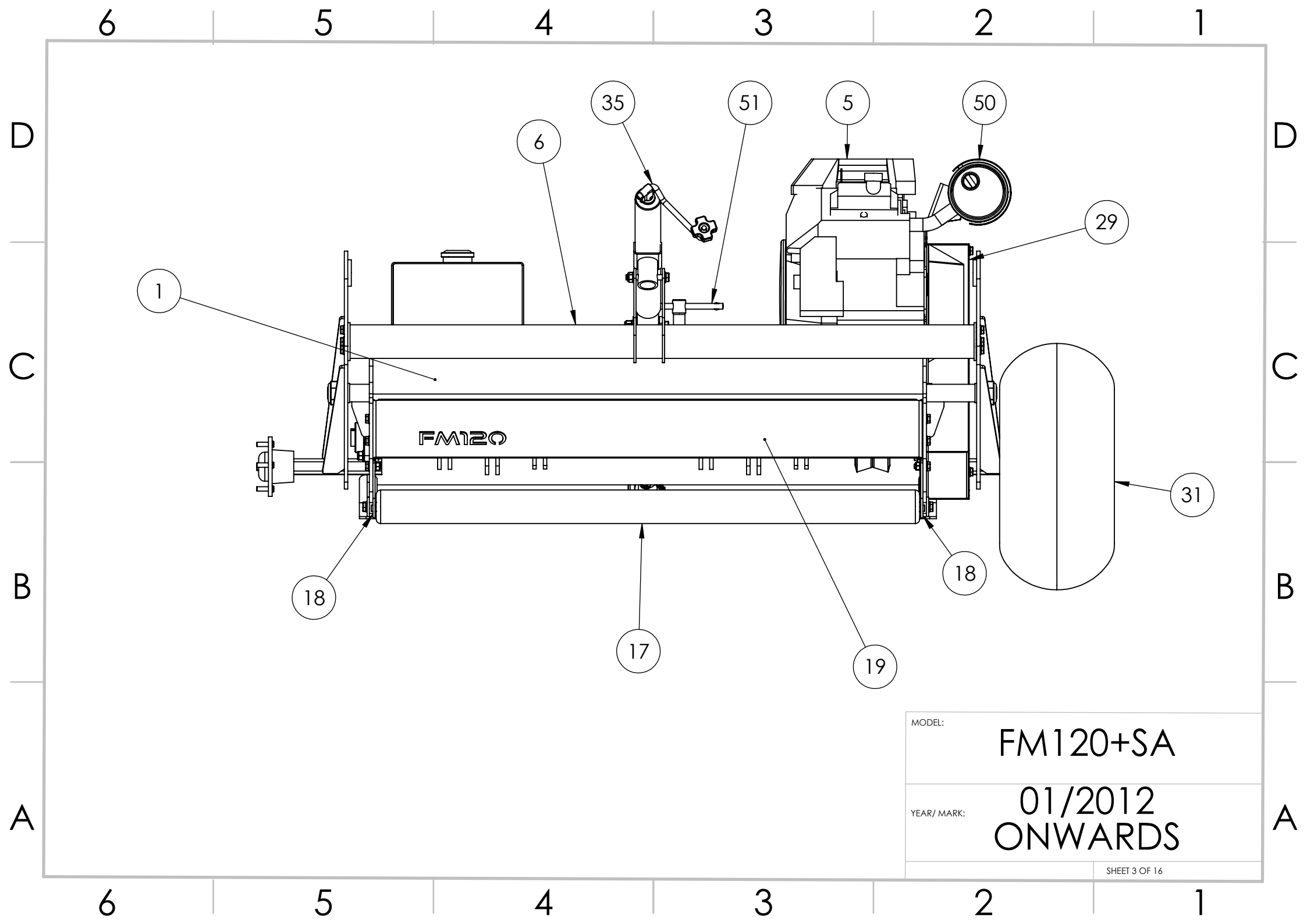


MODEL:

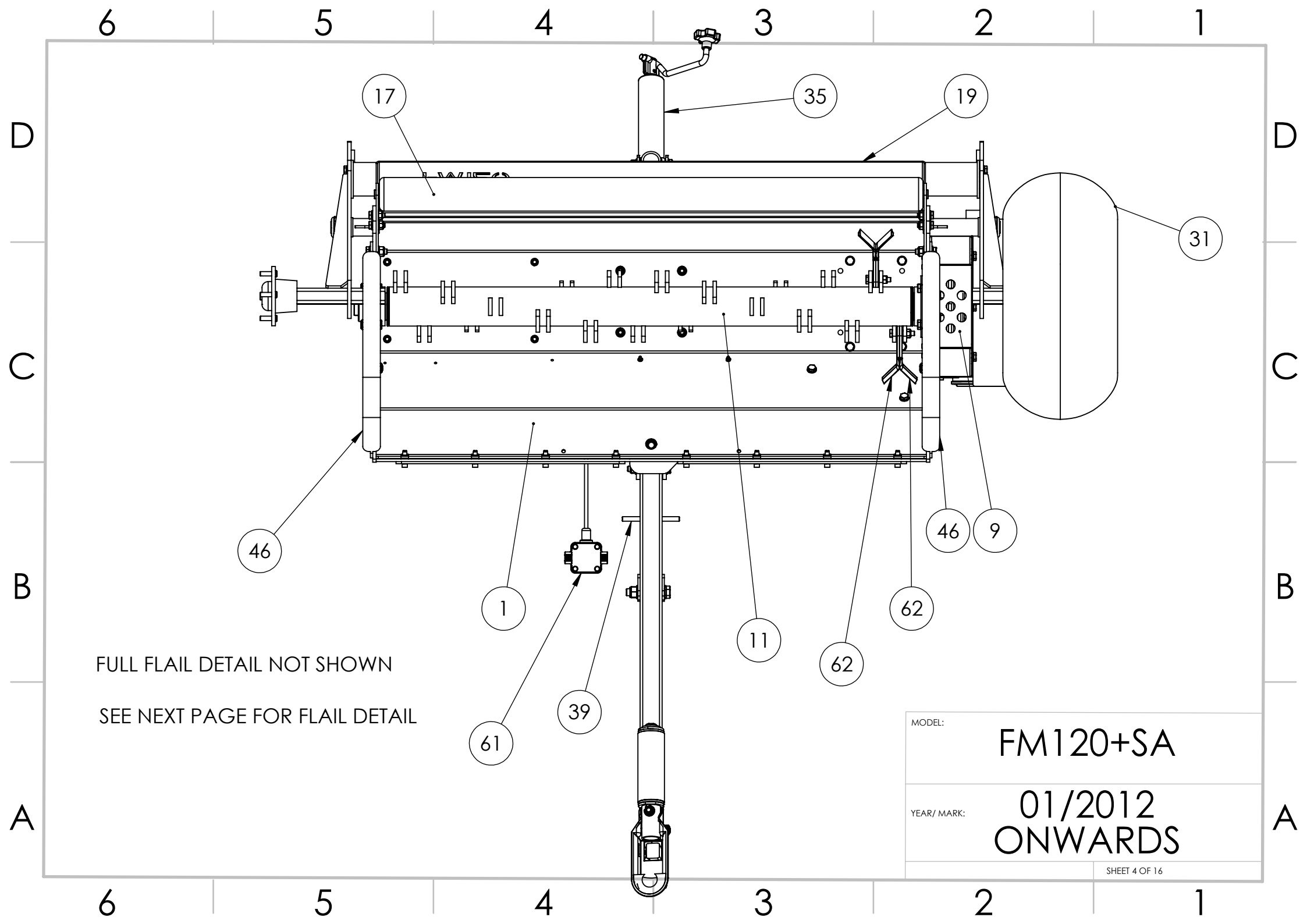
FM120+SA

YEAR/ MARK:

01/2012  
ONWARDS



MODEL:	FM120+SA
YEAR/ MARK:	01/2012 ONWARDS
SHEET 3 OF 16	

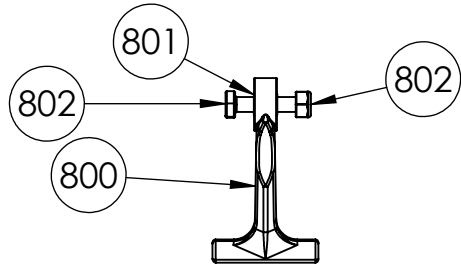


FULL FLAIL DETAIL NOT SHOWN  
 SEE NEXT PAGE FOR FLAIL DETAIL

MODEL: **FM120+SA**

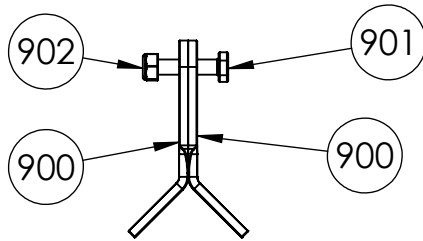
YEAR/ MARK: **01/2012 ONWARDS**

FM HAMMER FLAIL ASSEMBLY



ITEM NO.	PART NUMBER	DESCRIPTION	QTY.
800	FM-HF	HAMMER FLAIL DROP FORGED Rev B	1
801	BB-01	BLADE BUSH	1
802	M10-50HB	M10 x 50 Hex Head Bolt	1
803	M10-000NN	M10 NYLOCK NUT	1

FM STANDARD FLAIL ASSEMBLY



ITEM NO.	PART NUMBER	DESCRIPTION	QTY.
900	FM-SB	STANDARD FLAIL BLADE, TO SUIT FM SERIES	2
901	M10-50HB	M10 x 50 Hex Head Bolt	1
902	M10-000NN	M10 NYLOCK NUT	1

NO. FLAILS FITTED

FM120  
STANDARD = 44  
HAMMER = 22

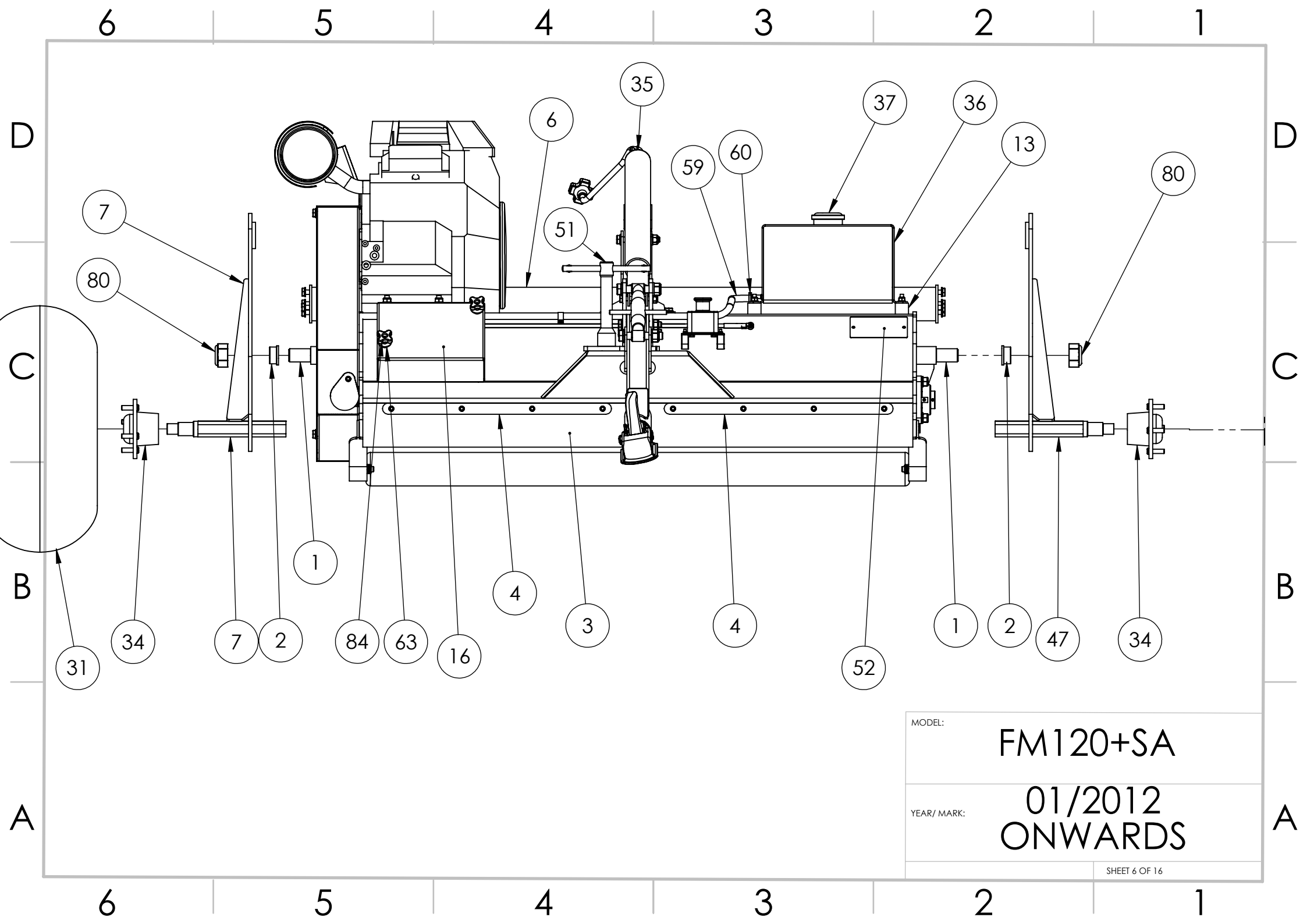
FM150  
STANDARD = 52  
HAMMER = 26

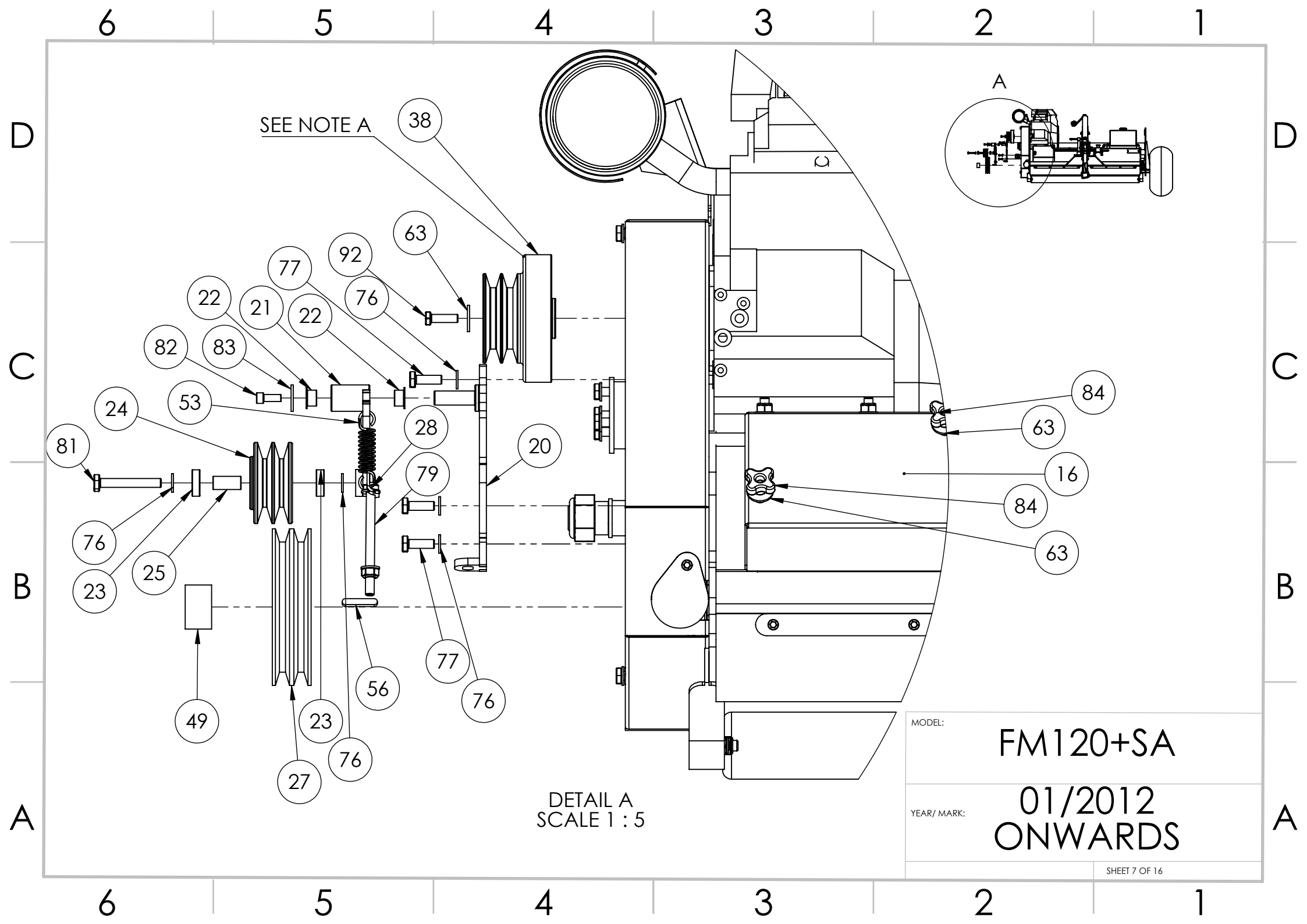
MODEL:

FM120+SA

YEAR/ MARK:

01/2012  
ONWARDS

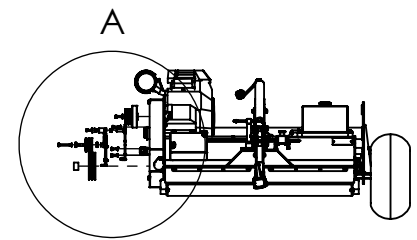




SEE NOTE A

DETAIL A  
SCALE 1 : 5

MODEL:	FM120+SA
YEAR/ MARK:	01/2012 ONWARDS
SHEET 7 OF 16	



38

63

92

77

22

21

22

82

83

24

53

28

20

84

63

81

16

84

76

63

23

25

77

76

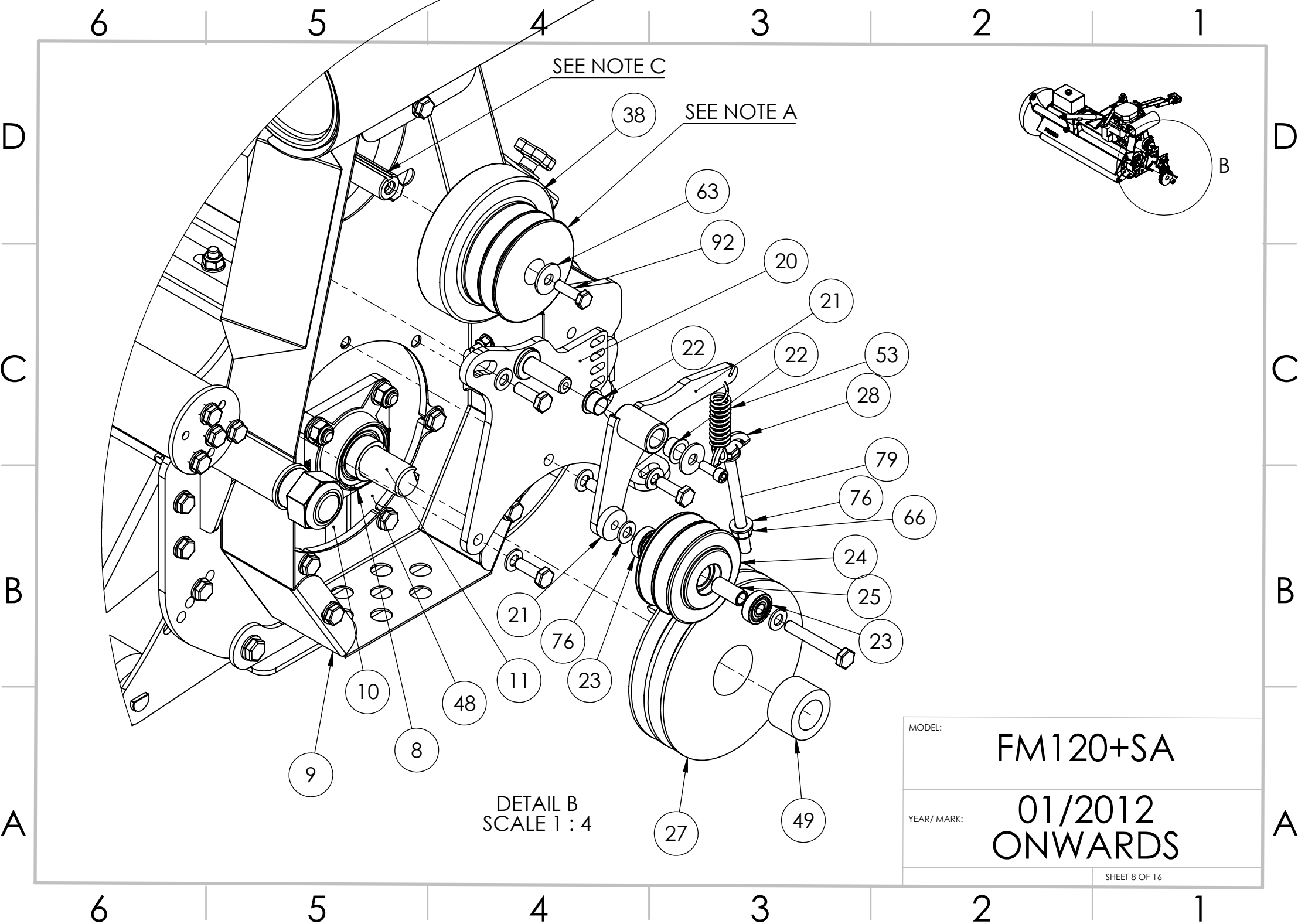
49

23

56

27

76



SEE NOTE C

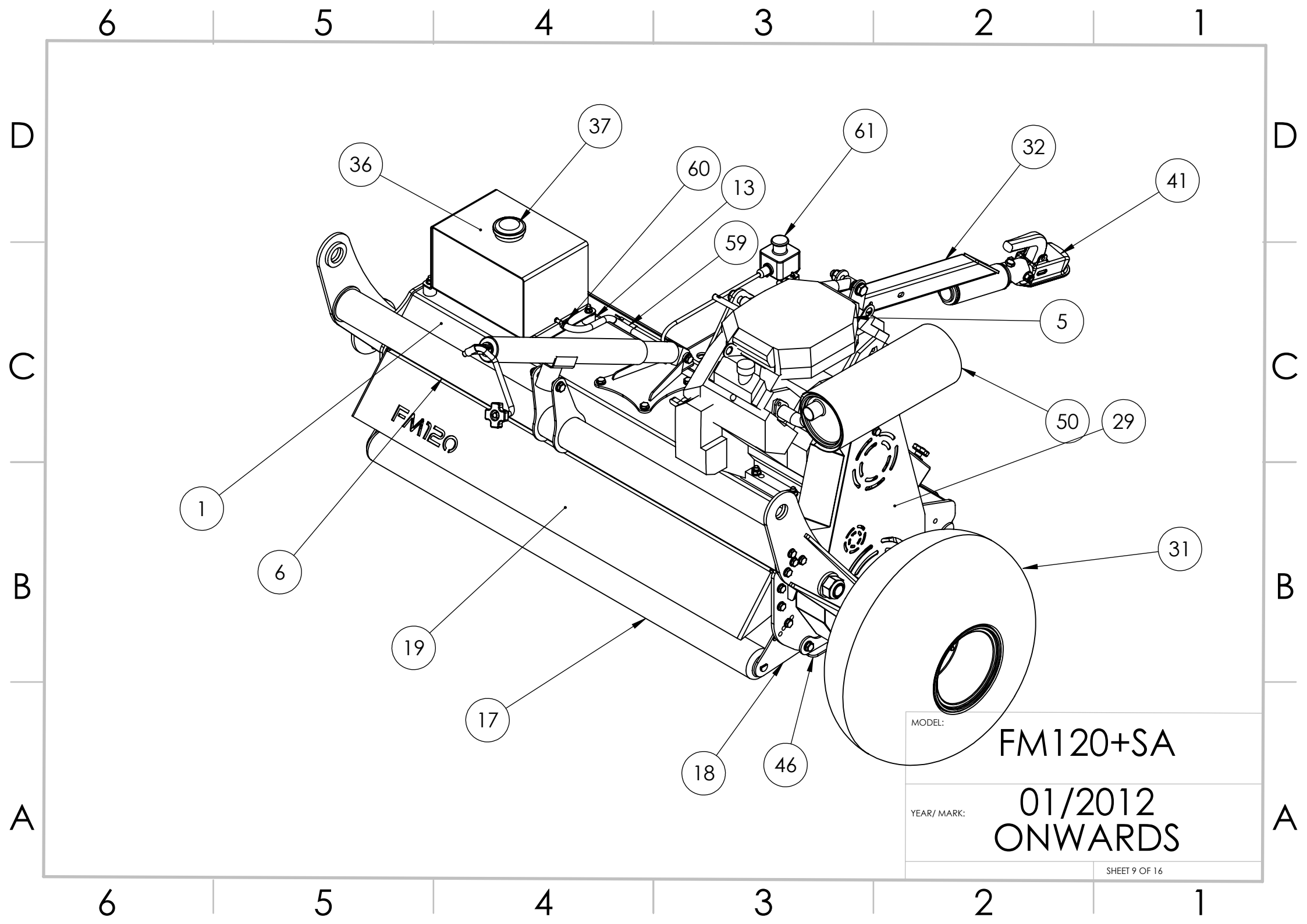
SEE NOTE A

DETAIL B  
SCALE 1 : 4

MODEL: FM120+SA

YEAR/ MARK: 01/2012  
ONWARDS





FM120

MODEL: FM120+SA

YEAR/ MARK: 01/2012 ONWARDS

6 5 4 3 2 1

D

D

C

C

B

B

A

A

ITEM NO.	PART NUMBER	DESCRIPTION	FM120+SA/QTY.
1	FM120-MDA	MAIN DECK ASSEMBLY	1
2	MFM-3038-20	IGUS BEARING 30MM ID, 38MM OD, 20MM THICKNESS TOP HAT STYLE MFM-3038-20	2
3	RBR-1250	RUBBER STRIP, 100MMX5MM INSERTION, 1250MM LONG	1
4	FM120-011	FIXING STRIP, FM120 REV B	2
5	GX630RH-QZE4	HONDA GX630RH-QZE4 21HP HORIZONTAL SHAFT ENGINE	1
6	FM120-RBA	REAR BAR ASSEMBLY, FM120	1
7	FM-SAR	FM STANDARD AXLE ASSEMBLY, RH	1
8	SF30-RHP	30MM ID HOUSED BEARING	2
9	FM-BGA	BELT GUARD ASSEMBLY, FM SERIES	1
10	FM120-002	COVER PLATE, 2MM	1
11	FM120-MRA	MAIN ROTOR ASSEMBLY, FM120	1
12	FM-RGA	ROTOR GUARD ASSEMBLY, FM SERIES	4
13	AD3025M820-1.5	RUBBER MOUNT WAISTED AD3025 M8X20MM THREAD	4
14	FM-BLA	BATTERY LOWER ASSEMBLY	1

MODEL:	<b>FM120+SA</b>
YEAR/ MARK:	<b>01/2012 ONWARDS</b>
<small>SHEET 10 OF 16</small>	

6 5 4 3 2 1

6

5

4

3

2

1

D

D

C

C

B

B

A

A

ITEM NO.	PART NUMBER	DESCRIPTION	FM120+SA/QTY.
15	518901026a514	BATTERY POWERSPORTS AGM 12V 18AH	1
16	FM-BUA	BATTERY UPPER ASSEMBLY	1
17	FM120-RRA	REAR ROLLER ASSEMBLY, FM120, OA=1230, OF=1250	1
18	FM120-016	ROLLER MOUNT	2
19	FM120-RSA	REAR SKIRT ASSEMBLY, FM120	1
20	FM-TBA	TENSIONER BASE ASSEMBLY	1
21	FM-TAA	TENSIONER ARM ASSEMBLY	1
22	MFM-1618-12	IGUS BEARING 16MM ID, 18MM OD, 12MM THICKNESS TOP HAT STYLE MFM-1618-12	2
23	6200-2RSH	BEARING, BALL, 10MM ID 30MM OD	2
24	SPB90-2	PULLEY, 2 GROOVE, 90MM	1
25	SPB90-2 Spacer	SPACER TO SUIT SPB90/2 PULLEY	1
26	FM120-004	CLUTCH SPACING WASHER	2
27	SPB170-2	SPB170/2 PULLEY, 2 GROOVE, 170MM PCD, B SECTION TO SUIT 2012 TAPERLOCK	1
28	FM120-003	TENSIONER SPRING CLIP	1
29	FM120-001	BELT GUARD COVER, REV E	1

MODEL:

FM120+SA

YEAR/ MARK:

01/2012  
ONWARDS

SHEET 11 OF 16

6

5

4

3

2

1

6

5

4

3

2

1

ITEM NO.	PART NUMBER	DESCRIPTION	FM120+SA/QTY.
30	FM-HAM	HEIGHT ADJUSTER MOUNT	1
31	WAT-22118W	22X11X8 WHEEL ASSEMBLY 4X4" PCD	1
32	DBA-900	DRAWBAR 900MM LONG 50X50X5MM BOX ASSEMBLY	1
33	BTC-5050T	BOX CAP THICK WALL 3-5MM TO SUIT 50X50	1
34	ADR-200H	HUB 4X4" SSP	2
35	HAJ-6091	Height Adjustment Jack Rev c	1
36	FM-FTA	FUEL TANK ASSEMBLY, FM	1
37	FCM50651	FUEL CAP VENTED 50MM	1
38	K125-1435	CLUTCH, 145MM OD, 4" 2 GROOVE PULLEY, 1" INPUT SHAFT	1
39	TL-1902000GP	TOP LINK CAT 0	1
40	SH-003	SWIVEL HITCH WASHER 44MM ID 60MM OD 5MM THICK	1
41	8802429X	8802429X COUPLING 50MM BALL TO SUIT 43MM TUBE	1
42	SH-002	SWIVEL HITCH BUSH	2
43	SH-001	SWIVEL HITCH DRAWTUBE ASSEMBLY	1
44	FM-DMA	DRAWBAR MOUNT ASSEMBLY, FM	1

MODEL:

FM120+SA

YEAR/ MARK:

01/2012  
ONWARDS

SHEET 12 OF 16

6

5

4

3

2

1

D

D

C

C

B

B

A

A

6

5

4

3

2

1

D

D

C

C

B

B

A

A

ITEM NO.	PART NUMBER	DESCRIPTION	FM120+SA/QTY.
45	FM120-071	BELT GUARD GREASE POINT COVER	1
46	FM-SMA	SKID MOUNT ASSEMBLY	2
47	FM-SAL	STANDARD AXLE ASSEMBLY LH	1
48	FM-DSB	DRIVEN SIDE BEARING MOUNT, FM	1
49	2012-30	TAPERLOCK 30MM ID TO SUIT 2012 SOCKET	1
50	06183-ZCK-8000	MUFFLER TO SUIT HONDA GX630RH	1
51	SHS-20 (ASSY)	SWIVEL MOUNT 20MM, ASSEMBLY	1
52	SERIALPLATE	SERIAL PLATE CHAPMAN	1
53	E07501052500M	SPRING, 19MM OD, 63MM FREE LENGTH, 10N/MM	1
54	BCR770	BATTERY CABLE RED, 770MM, TERMINATED ENDS	1
55	BCB770	BATTERY CABLE, BLACK, 770MM, 16MM DIA, TERMINATED ENDS ON 8MM TERMINALS, HEAT SHRINK COVERS	1
56	68858740	FEATHERED KEY 8 X 7 X 40MM	1
57	1862	NYLON P CLIP. CLEAR, 5.5MM CABLE DIA	2
58	1866	NYLON P CLIP. CLEAR, 15MM CABLE DIA	2

MODEL:

FM120+SA

YEAR/ MARK:

01/2012  
ONWARDS

SHEET 13 OF 16

6

5

4

3

2

1

	6	5	4	3	2	1
	ITEM NO.	PART NUMBER	DESCRIPTION			FM120+SA/QTY.
D	59	BSAU-8-100	FUEL HOSE, 8MM ID, 15MM OD, RUBBER, PER M			1
	60	DW-14.8	DOUBLE WIRE SPRING, BZP, 14.5-15.1			2
	61	FM-ESA	EMERGENCY STOP ASSEMBLY, TO SUIT FM SERIES			1
	62	FM-SB	STANDARD FLAIL BLADE, TO SUIT FM SERIES			4
	63	M10-000PWG	M10 Plain Washer Form G			3
C	64	M12-90HB	M12X90MM HEX HEAD BOLT			3
	65	M10-50HB	M10 x 50 Hex Head Bolt			6
	66	M10-000NN	M10 NYLOCK NUT			20
	67	M12-60HB	M12X60 HEX HEAD BOLT			1
	68	M12-70HB	M12X70 HEX HEAD BOLT			1
	69	M12-000PW	M12 PLAIN WASHER FORM A			24
	70	M12-000NN	M12 NYLOCK NUT			17
B	71	M16-50HB	M16 x 50 Hex Head Bolt			1
	72	M16-000PW	M16 plain Washer			6
	73	M16-000NN	M16 Nylock Nut			3
	74	M16-90HB	M16 x 90 Hex Head Bolt			2
					MODEL:	FM120+SA
A					YEAR/ MARK:	01/2012 ONWARDS
					SHEET 14 OF 16	
	6	5	4	3	2	1

6

5

4

3

2

1

D

D

C

C

B

B

A

A

ITEM NO.	PART NUMBER	DESCRIPTION	FM120+SA/QTY.
75	M10-80HB	M10 x 80 Hex Head Bolt	1
76	M10-000PW	M10 PLAIN WASHER FORM A	58
77	M10-30HB	M10 x 30 Hex Head Bolt	24
78	M10-20HB	M10 x 20 Hex Head Bolt	6
79	M10-120HS	M10 x 120 Hex Head Set Screw	3
80	M30-000NN	M30 Nylock Nut	2
81	M10-70HB	M10 x 70 Hex Head Bolt	1
82	M8-20CS	M8 x 20 Cap Head Set Screw	2
83	M8-000PWG	M8 Plain Washer Form G	1
84	F188-40 M10	HANDWHEEL M10 THROUGH THREADED 40MM 4 LUG	2
85	M12-30HB	M12 x 30 Hex Head Bolt	2
86	M12-40HB	M12 x 40 Hex Head Bolt	10
87	M8-30CS	M8 x 30 Cap Head Set Screw	8
88	M8-000PW	M8 Plain Washer From A	10
89	M8-000NN	M8 NYLOCK NUT	9
90	M8-000LN	M8 Lug Nut	8

MODEL:

FM120 + SA

YEAR/ MARK:

01/2012  
ONWARDS

SHEET 15 OF 16

6

5

4

3

2

1

6

5

4

3

2

1

ITEM NO.	PART NUMBER	DESCRIPTION	FM120+SA/QTY.
91	M10-000CN	M10 Cage Nut	3
92	3-8 24 x 1 1-4 UNF	3-8 x1 1-4 UNF 24 Hex Head Bolt	1
93	M5-20PP	M5 x 20 Pan Head Pozi Screw	2
94	M5-000PW	M5 Plain Washer Form A	4
95	M5-000NN	M5 Nylock Nut	2
96	BX41	BELT, BX41	2

## NOTES:

- A. UP TO 02/2018 CLUTCH HAS A 125MM OUTSIDE DIAMETER. FROM 02/2018 CLUTCH HAS A 145MM OUTSIDE DIAMETER. 145MM DIA CLUTCHES CANNOT BE FITTED TO MACHINES OLDER THAN 02/2018 WITHOUT MODIFICATION TO STEELWORK. IN THIS CASE 125MM DIA CLUTCH CAN BE SUPPLIED
- B. MACHINES PRE 01/2017 USE RM-DMA DRAWBAR MOUNT & SHS-12(ASSY) SWIVEL HITCH SCREW ASSEMBLY
- C. KEYWAY SUPPLIED WITH ENGINE SO NOT LISTED AS SEPARATE PART. REPLACEMENTS CAN BE SUPPLIED, PLEASE CALL.
- D. VARIOUS TREAD PATTERNS ARE SUPPLIED, IF PURCHASING A SINGLE REPLACEMENT AND IT IS REQUIRED TO MATCH THEN A PHOTO OF THE CURRENT TREAD PATTERN WILL NEED TO BE SUPPLIED

MODEL:

FM120 + SA

YEAR/ MARK:

01/2012  
ONWARDS

ALL PART NUMBERS / DRAWINGS SUPPLIED ARE FOR GENERAL REFERENCE ONLY. MODIFICATIONS/CHANGES MAY BE MADE AT ANY TIME AT OUR DISCRETION.

SHEET 16 OF 16

6

5

4

3

2

1