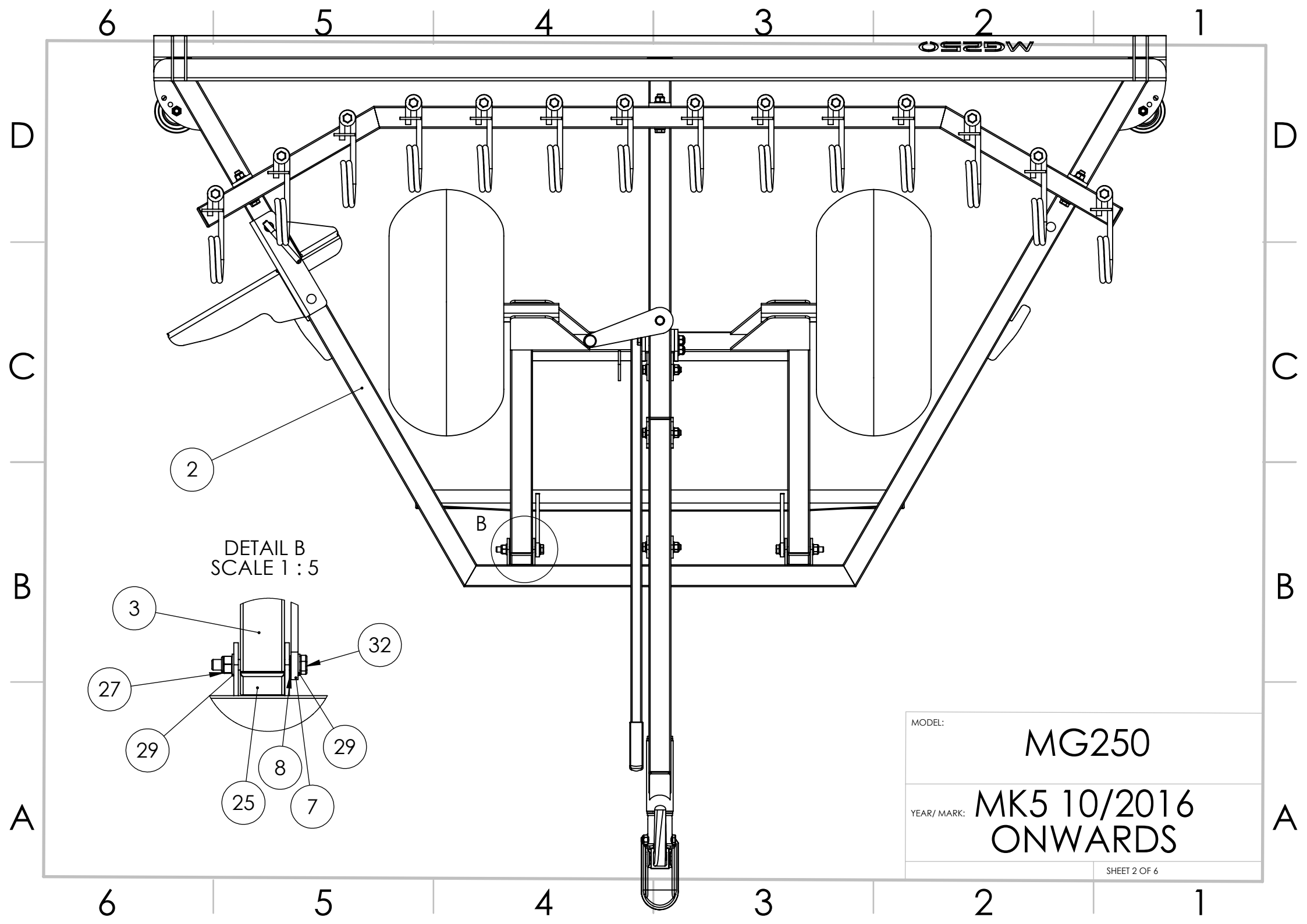


MODEL:	MG250
YEAR/ MARK:	MK5 10/2016 ONWARDS
SHEET 1 OF 6	

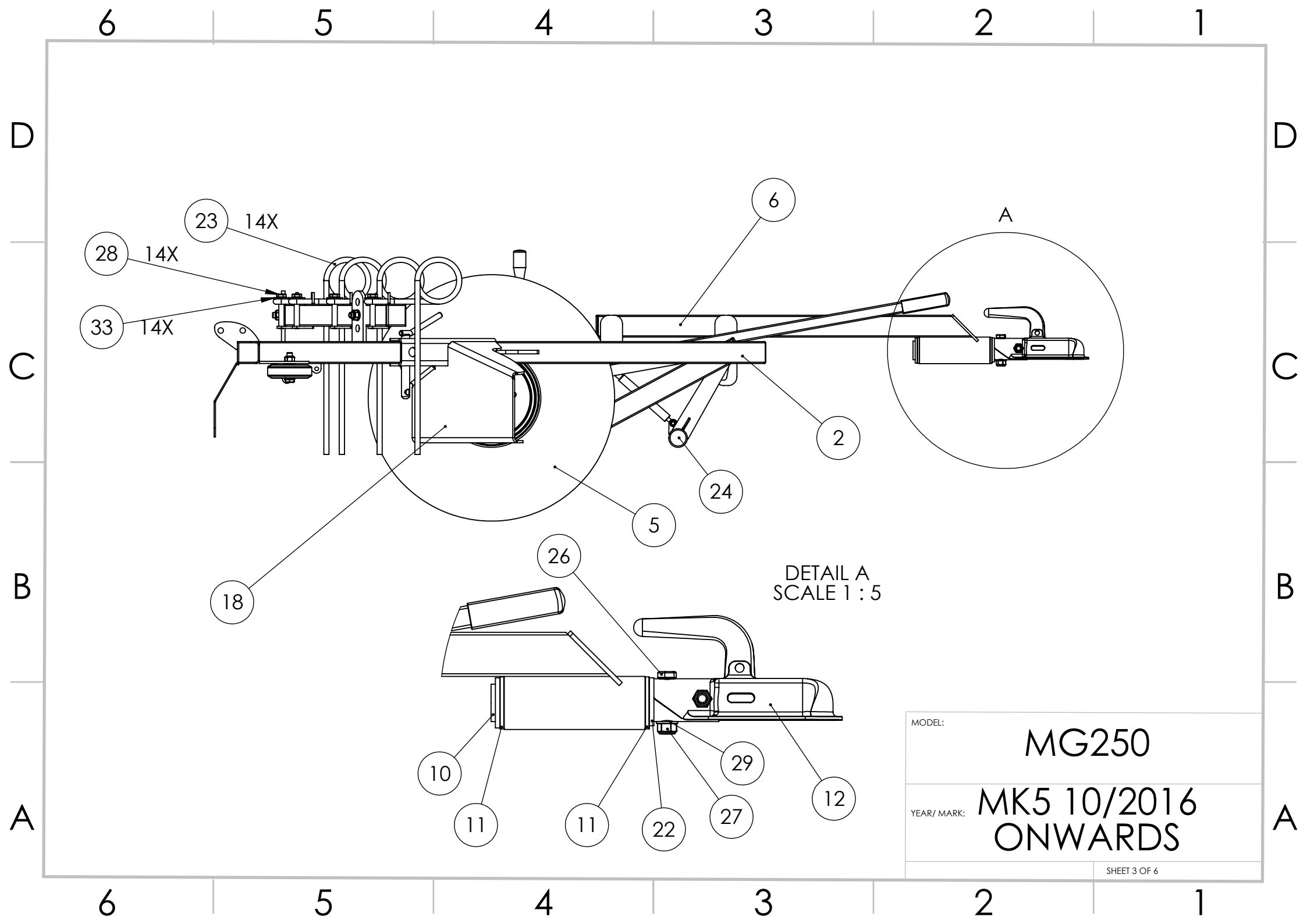


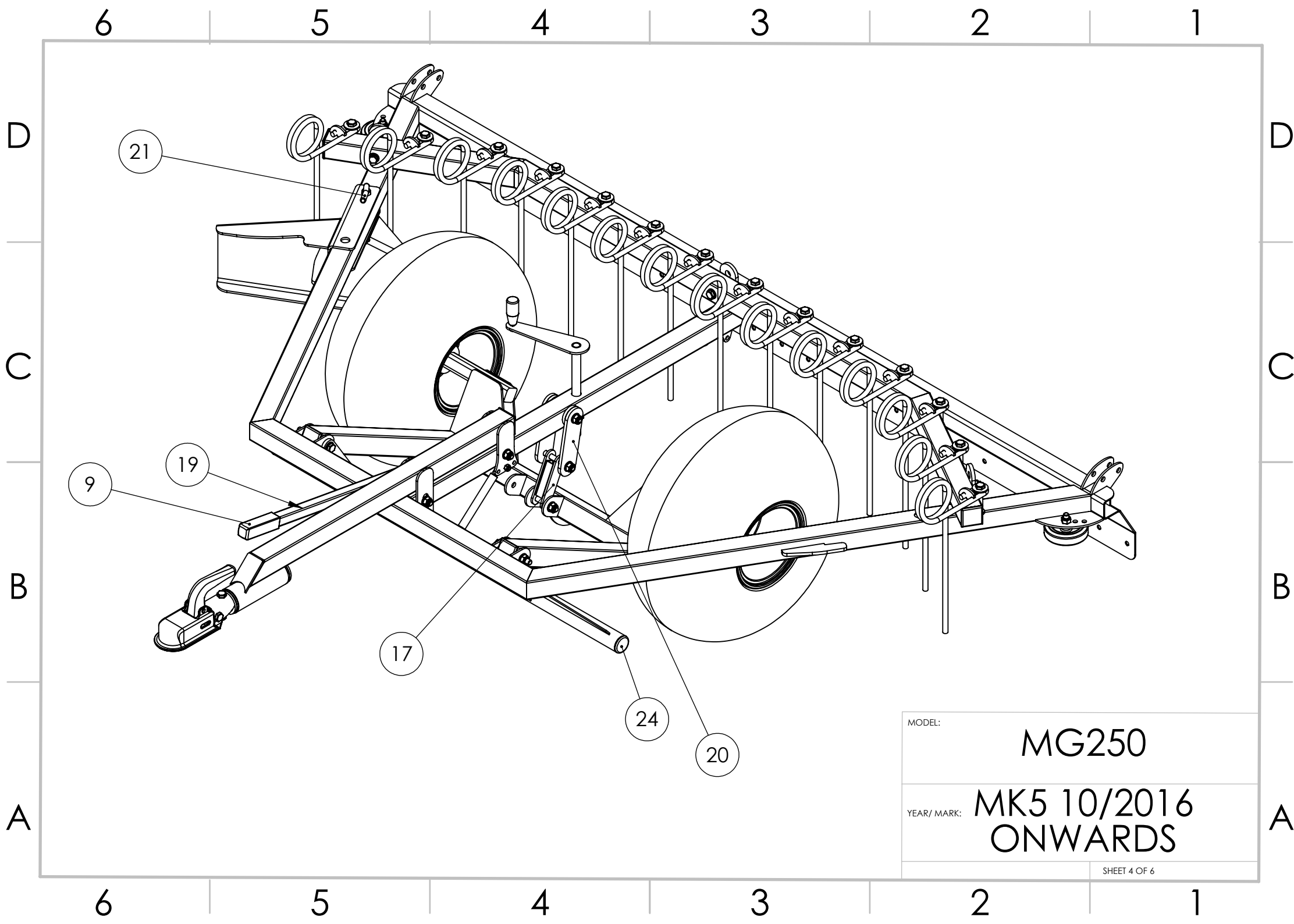
MG250

DETAIL B
SCALE 1 : 5

MODEL: **MG250**

YEAR/ MARK: **MK5 10/2016 ONWARDS**





MODEL:

MG250

YEAR/ MARK:

MK5 10/2016
ONWARDS

6 5 4 3 2 1

ITEM NO.	PART NUMBER	DESCRIPTION	MG250/QTY.
1	MG250-TBA	TINE BAR ASSEMBLY	1
2	MG250-MFA	MAIN FRAME ASSEMBLY	1
3	MG250-AFA	AXLE FRAME ASSEMBLY	1
4	ADR-200H	HUB 4X4" SSP	2
5	WAT-22118W	22X11X8 WHEEL ASSEMBLY 4X4" PCD	2
6	MG250-DBA	DRAWBAR ASSEMBLY	1
7	MG250-LBA	LEVELLING BAR ASSEMBLY	1
8	GFM-1214-06	BEARING 12MM ID 14MM OD 6MM DEPTH	2
9	RUB-2525100	RUBBER GRIP 25X25X100 SG15 BLACK	1
10	SH-001	SWIVEL DRAWTUBE ASSEMBLY	1
11	SH-002	SWIVEL HITCH BUSH	2
12	ALB-150	HITCH 1500KG 45MM TUBE	1
13	GST-200N	GAS STRUT 200N 1245-7383	1
14	81100GP	STEEL CASTOR WHEEL 100MM OD 12MM ID RUBBER TYRE	2
15	MG250-DLA	DEPTH LIMIT ASSEMBLY MG250	1
16	M129-70	M8 SWIVEL HANDLE BLACK M8 20MM THREAD JENCAN 120172	1
17	MG250-LLA	LIFT LINK ASSEMBLY	1
18	MG250-PBA	PERIMETER BLADE ASSEMBLY	1

MODEL: **MG250**

YEAR/ MARK: **MK5 10/2016 ONWARDS**

6 5 4 3 2 1

D

D

C

C

B

B

A

A

ITEM NO.	PART NUMBER	DESCRIPTION	MG250/QTY.
19	MG250-LAA	LIFT ARM ASSEMBLY	1
20	MG250-005-B	LIFT ARM PLATE REV B	1
21	Z519130KR	LINKAGE PIN WITH CHAIN 130MMX19MM	1
22	SH-003	SWIVEL HITCH WASHER 44MM ID 60MM OD 5MM THICK	1
23	HAR-141Z	TINE HAR141Z 13MM ID RED	14
24	BTC-42.4	42.4MM TUBE CAP TO SUIT UP TO 3MM WALL	2
25	BTC-5050	BOX CAP TO SUIT 50X50MM BOX UP TO 3MM WALL	7
26	M12-60HB	M12X60 HEX HEAD BOLT	3
27	M12-000NN	M12 NYLOCK NUT	14
28	M12-70HB	M12X70 HEX HEAD BOLT	16
29	M12-000PW	M12 PLAIN WASHER FORM A	26
30	M12-80HB	M12X80MM HEX HEAD BOLT	6
31	M8-000NN	M8 NYLOCK NUT	3
32	M12-100HB	M12X100MM HEX HEAD BOLT	4
33	M12-000PWG	M12 PLAIN WASHER FORM G	14

MODEL:	MG250
YEAR/ MARK:	MK5 10/2016 ONWARDS
SHEET 6 OF 6	