

MODEL:  
**BT500-TA OPTION**

YEAR/ MARK:  
**10/2017  
 ONWARDS**

D

D

C

C

B

B

A

A

6

5

4

3

2

1

6

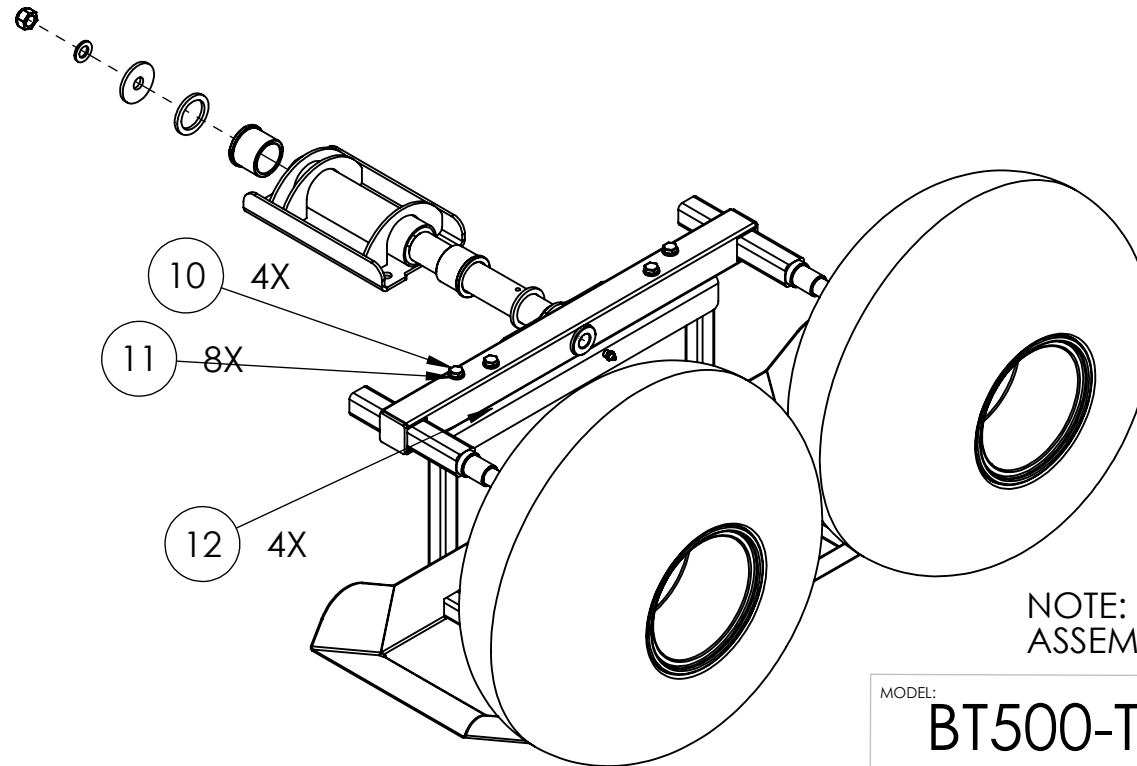
5

4

3

2

1



NOTE: ONLY 1 OF 2 AXLE  
ASSEMBLIES SHOWN

MODEL:  
**BT500-TA OPTION**

YEAR/ MARK:  
**10/2017  
ONWARDS**

6 5 4 3 2 1

D

D

C

C

B

B

A

A

ITEM NO.	PART NUMBER	DESCRIPTION	NO MUDGUARD/QTY.
1	SH-002	SWIVEL HITCH BUSH	2
2	TF350-033	TWIN AXLE SWIVEL WASHER	2
3	TF350-034	TWIN AXLE CAP WASHER	1
4	ADR-200H	HUB 4X4" SSP	2
5	WAT-22118W	22X11X8 WHEEL ASSEMBLY 4X4" PCD	2
6	TF350-TAS(ARM)	TWIN AXLE ARM ASSEMBLY	1
7	TF350-TAS(PIVOT)	TWIN AXLE ASSEMBLY PIVOT TUBE	1
8	M16-000NN	M16 Nylock Nut	1
9	M16-000PW	M16 plain Washer	1
10	M10-70HB	M10 x 70 Hex Head Bolt	4
11	M10-000PW	M10 PLAIN WASHER FORM A	8
12	M10-000NN	M10 NYLOCK NUT	4
13	GN101580	GREASE NIPPLE M10X1.5 180° BZP	1
14	TF350-TAM	TWIN AXLE MUDGUARD ASSEMBLY	0

NOTE: TWIN AXLE MUDGUARD ASSEMBLY NOT NORMALLY FITTED TO BT500  
 NOTE: ONLY 1 OF 2 AXLE ASSEMBLIES SHOWN - AXLES ARE NOT HANDED AND CAN BE FITTED EITHER LH OR RH

MODEL:	<b>BT500-TA OPTION</b>
YEAR/ MARK:	<b>10/2017 ONWARDS</b>
<small>SHEET 3 OF 3</small>	

6 5 4 3 2 1