

6 5 4 3 2 1

D

D

C

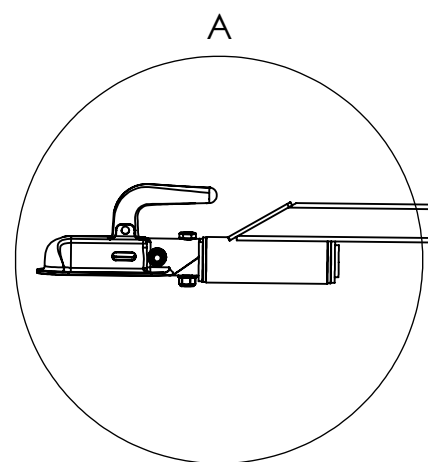
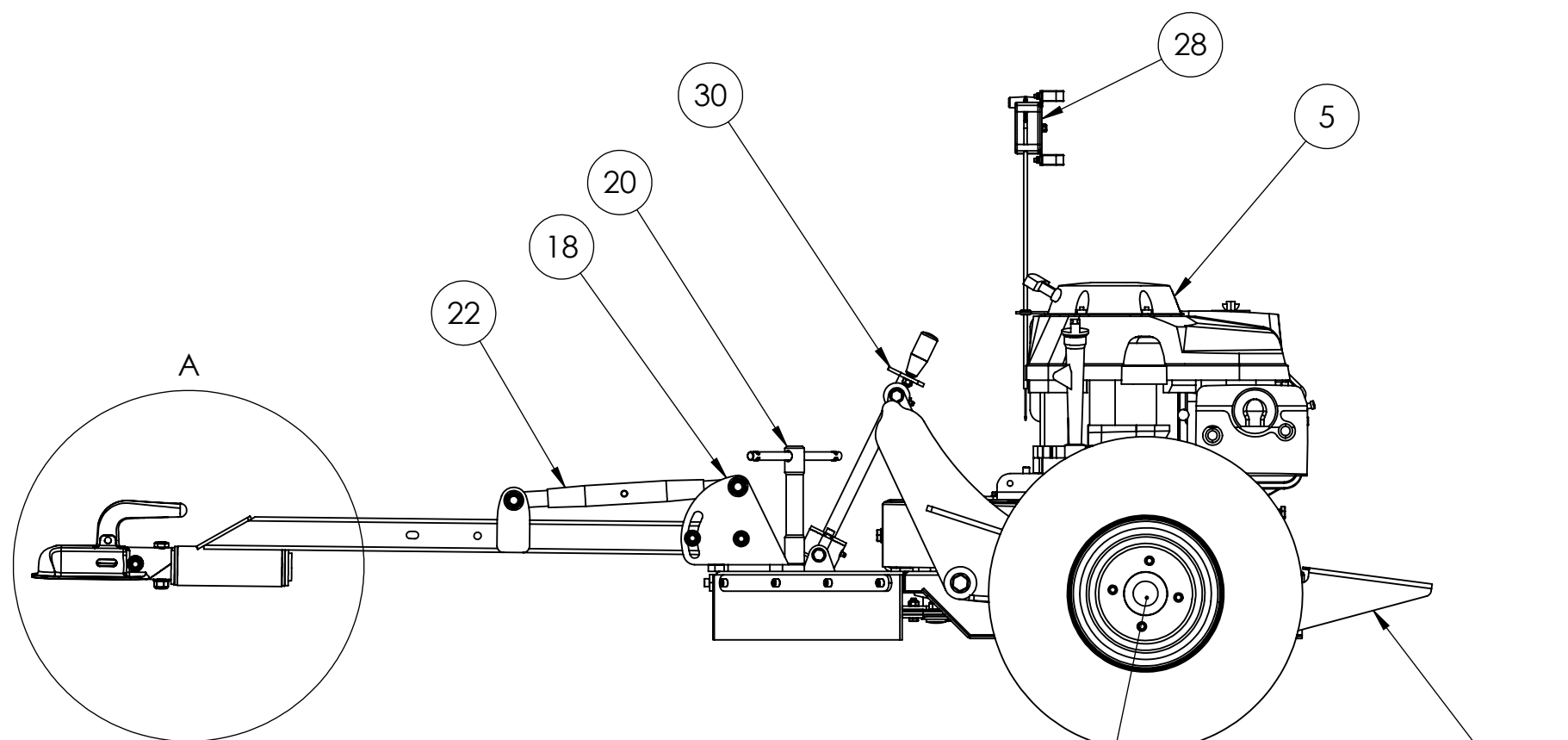
C

B

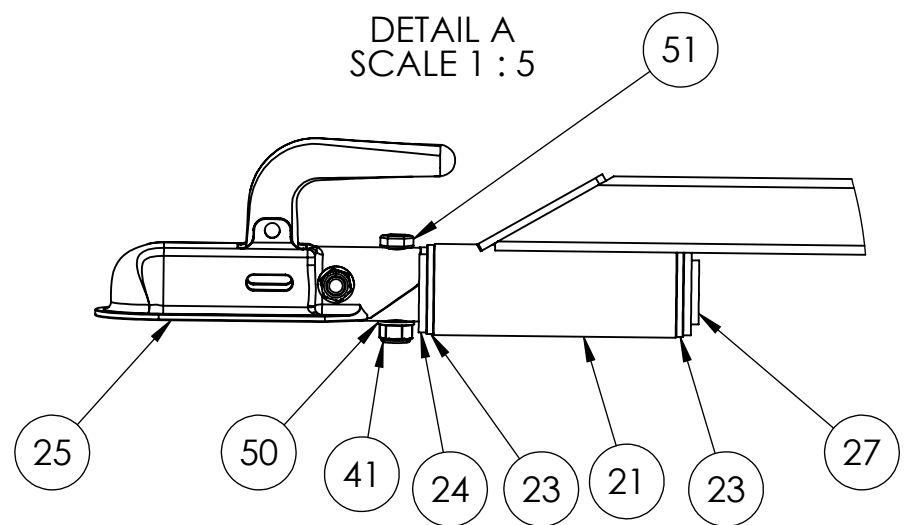
B

A

A

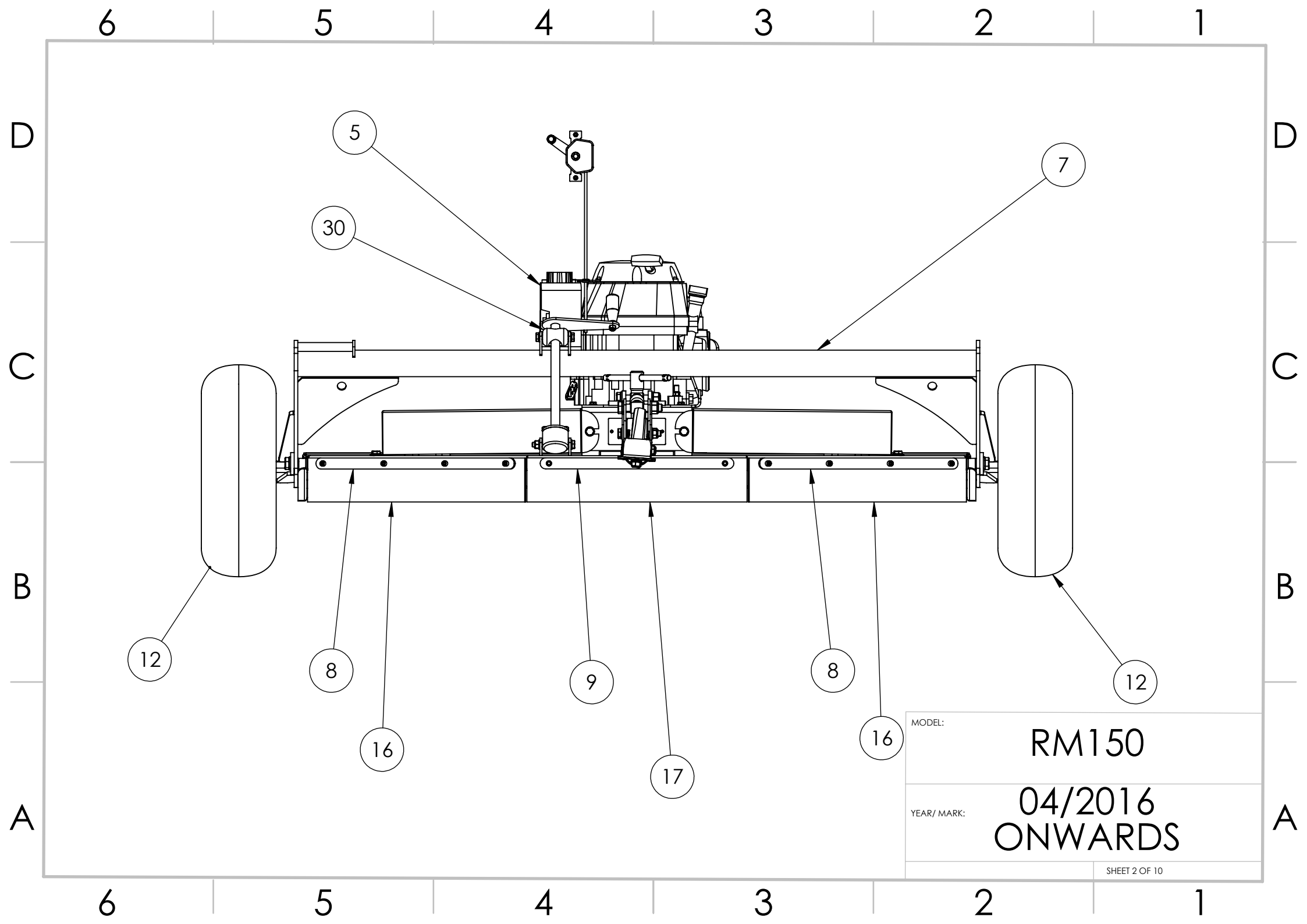


DETAIL A  
SCALE 1 : 5

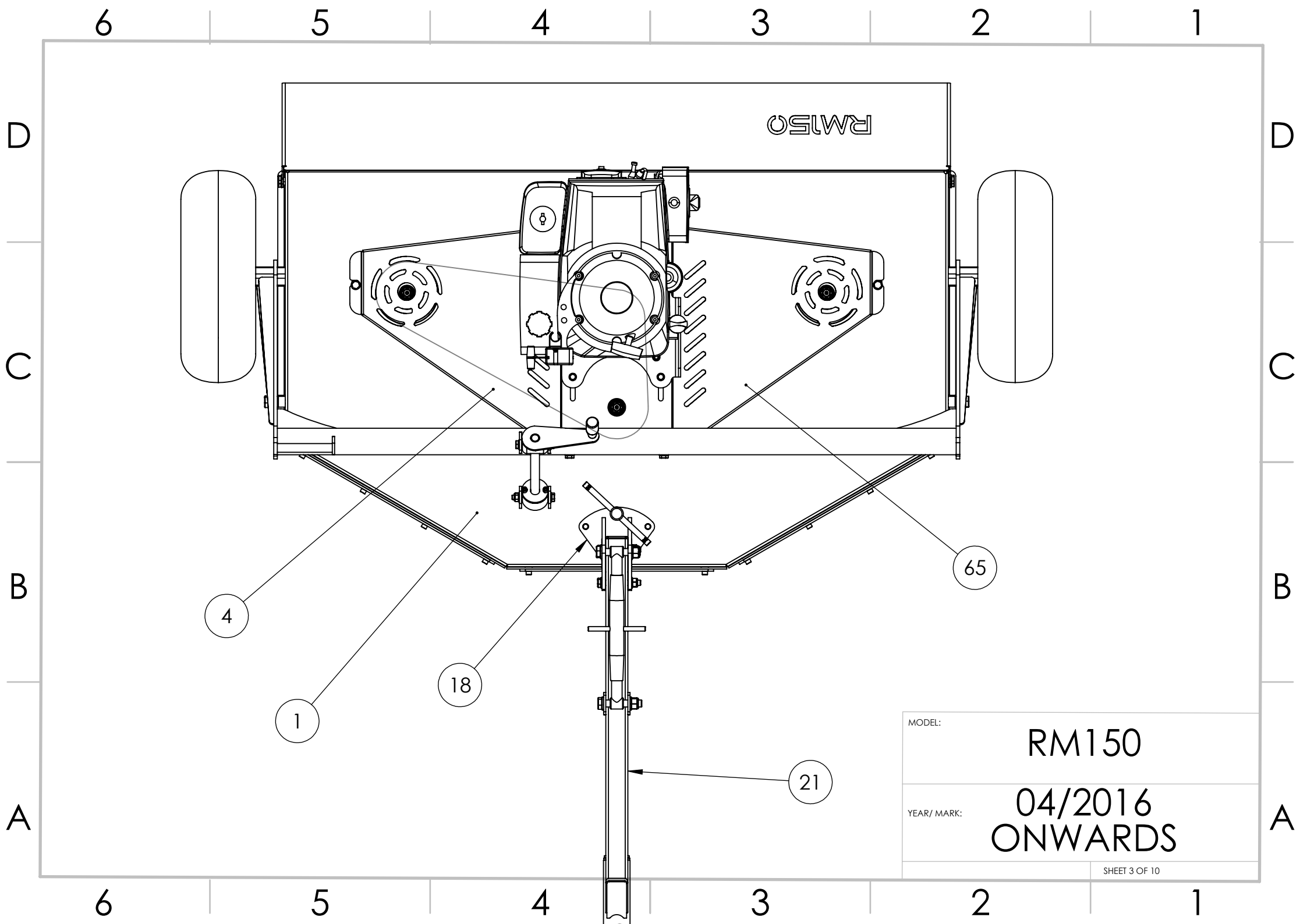


|               |                    |
|---------------|--------------------|
| MODEL:        | RM150              |
| YEAR/ MARK:   | 04/2016<br>ONWARDS |
| SHEET 1 OF 10 |                    |

6 5 4 3 2 1



|               |                    |
|---------------|--------------------|
| MODEL:        | RM150              |
| YEAR/ MARK:   | 04/2016<br>ONWARDS |
| SHEET 2 OF 10 |                    |



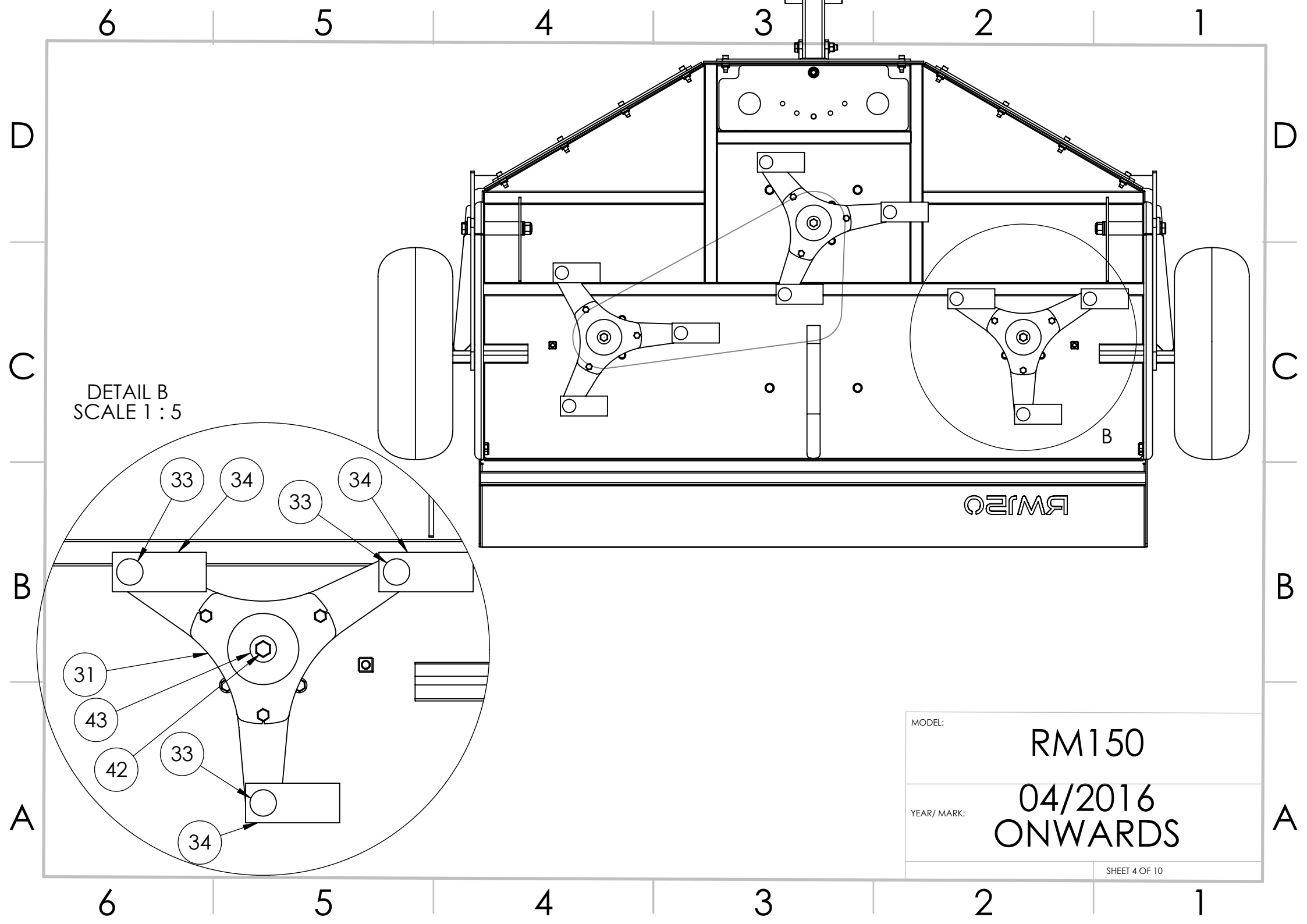
MODEL:

RM150

YEAR/ MARK:

04/2016  
ONWARDS

SHEET 3 OF 10



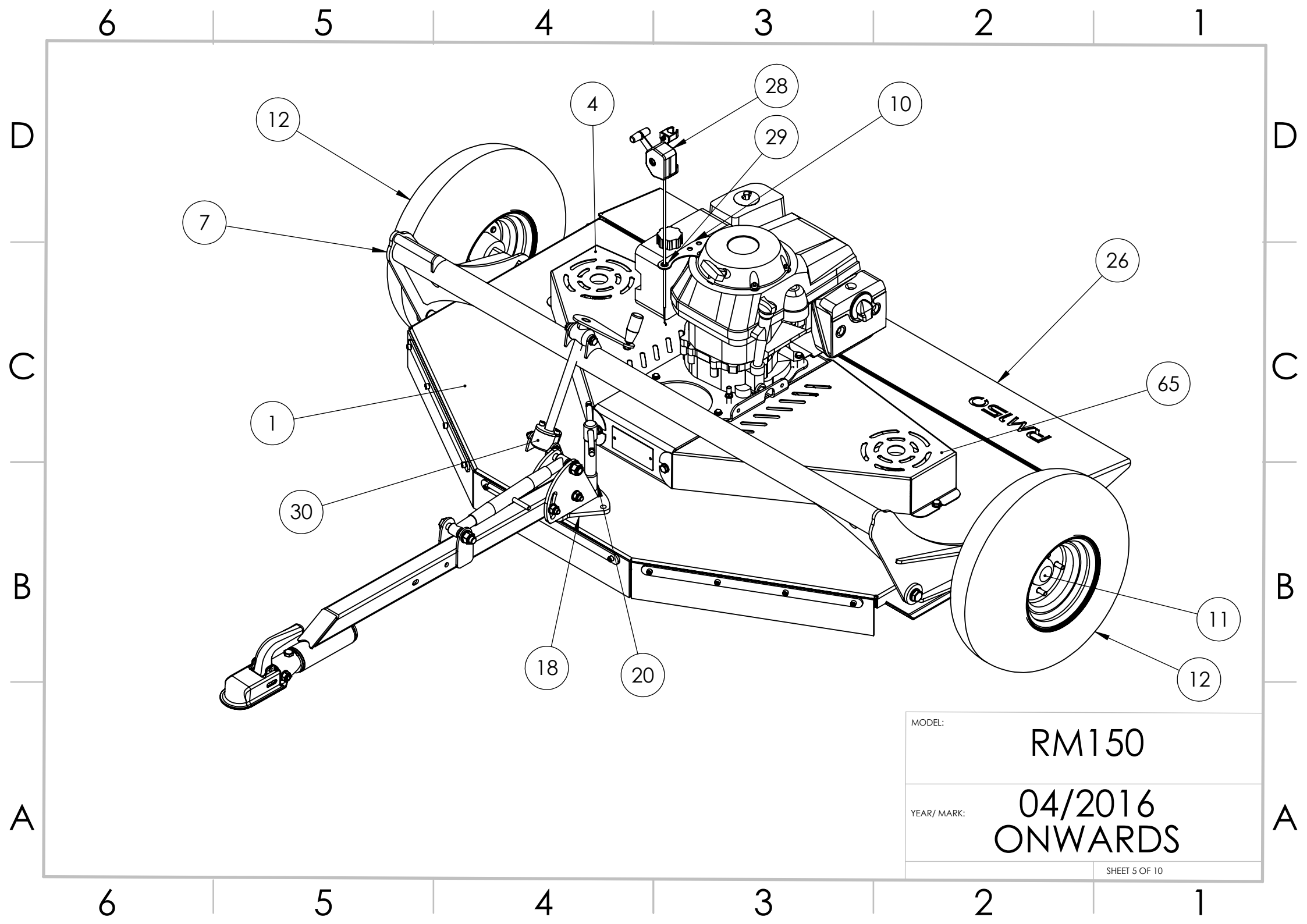
DETAIL B  
SCALE 1 : 5

MODEL:

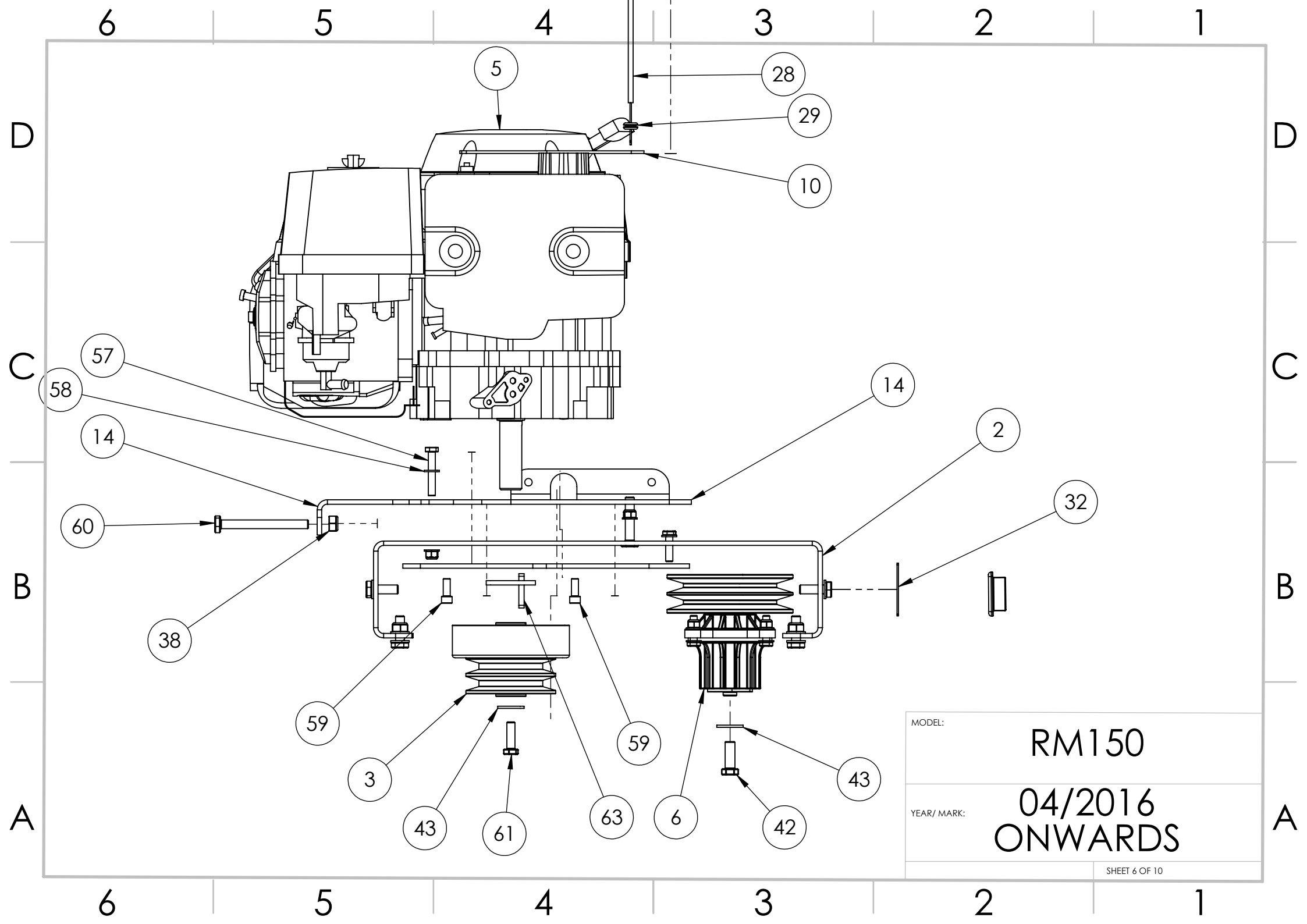
RM150

YEAR/ MARK:

04/2016  
ONWARDS



|               |                    |
|---------------|--------------------|
| MODEL:        | RM150              |
| YEAR/ MARK:   | 04/2016<br>ONWARDS |
| SHEET 5 OF 10 |                    |



|             |                    |
|-------------|--------------------|
| MODEL:      | RM150              |
| YEAR/ MARK: | 04/2016<br>ONWARDS |

| ITEM NO. | PART NUMBER   | DESCRIPTION   | RM150/QTY. |
|----------|---------------|---|------------|
| 1        | RM150-MDA     | MAIN DECK ASSEMBLY RM150  | 1          |
| 2        | RM-ERA        | ENGINE RISER ASSEMBLY, RM SERIES                                    | 1          |
| 3        | 1800P001      | CENTRIFUGAL CLUTCH 4" 2 GROOVE 1450RPM ENGAGEMENT                   | 1          |
| 4        | RM150-BGR     | BELT GUARD RH RM150   | 1          |
| 5        | GXV390-T1-DN5 | HONDA GXV390-T1-DN5-OH 13HP VERTICAL SHAFT ENGINE 1" PARALLEL SHAFT | 1          |
| 6        | RM-SA         | SPINDLE ASSEMBLY, RM, 2 GROOVE                                      | 3          |
| 7        | RM150-AA      | AXLE ASSEMBLY, RM150  | 1          |
| 8        | RM150-018     | FIXING STRIP 5MM  | 2          |
| 9        | RM150-019     | FIXING STRIP SHORT 5MM  | 1          |
| 10       | RM120-009     | THROTTLE CABLE HOLDER, RM SERIES                                    | 1          |
| 11       | ADR-200H      | HUB 4X4" SSP  | 2          |
| 12       | WAT-1978-4x4  | WHEEL AND TYRE ASSEMBLY 19X7X8 WANDA P308 ON 4X4" PCD               | 2          |
| 13       | RM120-074     | CLUTCH WASHER RM SERIES   | 1          |
| 14       | RM-ESA        | ENGINE SLIDE PLATE ASSEMBLY, RM SERIES                              | 1          |
| 15       | RM-ECA        | ENGINE CAPTIVE ASSEMBLY, RM SERIES                                  | 1          |
| 16       | RBR-570       | RUBBER STRIP, 570MM LONG, 5MMX100MM INSERTION                       | 2          |
| 17       | RBR-500       | RUBBER STRIP, 500MM LONG, 5MMX100MM INSERTION                       | 1          |
| 18       | RM-DMA        | DRAWBAR MOUNT ASSEMBLY RM SERIES                                    | 1          |

|               |                    |
|---------------|--------------------|
| MODEL:        | RM150              |
| YEAR/ MARK:   | 04/2016<br>ONWARDS |
| SHEET 7 OF 10 |                    |

6 5 4 3 2 1

| ITEM NO. | PART NUMBER  | DESCRIPTION   | RM150/QTY. |
|----------|--------------|---|------------|
| 19       | MFM-1218-12  | IGUS BEARING MFM 12MM ID 18MM OD 12MM THICK TOP HAT STYLE MFM-1218-12 | 1          |
| 20       | SHS-12(ASSY) | SWIVEL HITCH SCREW ASSEMBLY 12MM THREAD                               | 1          |
| 21       | DBA-900      | DRAWBAR 900MM LONG 50X50X5MM BOX ASSEMBLY                             | 1          |
| 22       | TL-1902000GP | TOP LINK CAT 0  | 1          |
| 23       | SH-002       |   | 2          |
| 24       | SH-003       | SWIVEL HITCH WASHER 44MM ID 60MM OD 5MM THICK                         | 1          |
| 25       | ALB-150      | 8802429X COUPLING 50MM BALL TO SUIT 43MM TUBE                         | 1          |
| 26       | RM150-RGA    | REAR GUARD ASSEMBLY, RM150  | 1          |
| 27       | SH-001       | SWIVEL HITCH DRAWTUBE ASSEMBLY  | 1          |
| 28       | RM-TA        | THROTTLE ASSEMBLY COMPLETE, RM SERIES                                 | 1          |
| 29       | 498047       | RUBBER GROMMET, PVC, 10MM ID, 16MM OD, 7MM THICK, 12MM HOLE DIA       | 1          |
| 30       | RM150-HAC    | HIEGHT ADJUSTMENT COMPLETE ASSEMBLY, RM150                            | 1          |
| 31       | RM150-BCA    | BLADE CARRIER ASSEMBLY, RM150   | 3          |
| 32       | SERIALPLATE  | SERIAL PLATE CHAPMAN  | 1          |
| 33       | 56115800KN   | MOWER BLADE BOLT, KUHN STYLE  | 9          |

|               |                    |
|---------------|--------------------|
| MODEL:        | RM150              |
| YEAR/ MARK:   | 04/2016<br>ONWARDS |
| SHEET 8 OF 10 |                    |

6 5 4 3 2 1

D

D

C

C

B

B

A

A



6

5

4

3

2

1

| ITEM NO. | PART NUMBER         | DESCRIPTION                      | RM150/QTY. |
|----------|---------------------|----------------------------------|------------|
| 34       | 55903310KR          | MOWER BLADE LH KUHN STYLE        | 9          |
| 35       | M10-20HB            | M10 x 20 Hex Head Bolt           | 8          |
| 36       | M10-000PW           | M10 PLAIN WASHER FORM A          | 26         |
| 37       | M10-30HB            | M10 x 30 Hex Head Bolt           | 8          |
| 38       | M10-000NN           | M10 NYLOCK NUT                   | 10         |
| 39       | M8-000NN            | M8 NYLOCK NUT                    | 14         |
| 40       | M8-30HS             | M8 x 30 Hex Head Set Screw       | 14         |
| 41       | M12-000NN           | M12 NYLOCK NUT                   | 14         |
| 42       | 7-16 20 x 1 1-4 UNF | 7-16 x1 1-4 UNF "0 Hex Head Bolt | 3          |
| 43       | M10-000PWG          | M10 Plain Washer Form G          | 4          |
| 44       | M8-000LN            | M8 Lug Nut                       | 10         |
| 45       | M10-000CN           | M10 Cage Nut                     | 2          |
| 46       | M16-90HB            | M16 x 90 Hex Head Bolt           | 2          |
| 47       | M16-000PW           | M16 plain Washer                 | 8          |
| 48       | M16-000NN           | M16 Nylock Nut                   | 4          |
| 49       | M12-90HB            | M12X90MM HEX HEAD BOLT           | 2          |
| 50       | M12-000PW           | M12 PLAIN WASHER FORM A          | 8          |
| 51       | M12-60HB            | M12X60 HEX HEAD BOLT             | 1          |
| 52       | M12-70HB            | M12X70 HEX HEAD BOLT             | 1          |

MODEL:

RM150

YEAR/ MARK:

04/2016  
ONWARDS

SHEET 9 OF 10

6

5

4

3

2

1

D

D

C

C

B

B

A

A

6

5

4

3

2

1

| ITEM NO. | PART NUMBER        | DESCRIPTION   | RM150/QTY. |
|----------|--------------------|---|------------|
| 53       | M12-40HB           | M12 x 40 Hex Head Bolt  | 1          |
| 54       | M10-90HS           | M10x90 Hex Head Set Screw   | 1          |
| 55       | M8-30CS            | M8 x 30 Cap Head Set Screw  | 10         |
| 56       | M16-150HB          | M16x150 Hex Head Bolt   | 2          |
| 57       | M8-50HB            | M8 x 50 Hex Head Bolt   | 1          |
| 58       | M8-000PW           | M8 Plain Washer From A  | 29         |
| 59       | M8-20CS            | M8 x 20 Cap Head Set Screw  | 2          |
| 60       | M10-100HS          | M10 x 100 Hex Head Set Screw  | 1          |
| 61       | 3-8 24 x 1 1-4 UNF | 3-8 x1 1-4 UNF 24 Hex Head Bolt   | 1          |
| 62       | RM120-039          | BLADE WASHER, RM SERIES   | 9          |
| 63       | 68856640           | KEYWAY, 6X6X40MM FEATHERED ENDS STEEL                                   | 1          |
| 64       | MFM-1618-12        | IGUS BEARING 16MM ID, 18MM OD, 12MM THICKNESS TOP HAT STYLE MFM-1618-12 | 2          |
| 65       | RM150-BGL          | BELT GUARD LH, RM150  | 1          |
| 66       | BTC-5050T          | BOX CAP THICK WALL 3-5MM TO SUIT 50X50                                  | 1          |
| 67       | M10-50HB           | M10 x 50 Hex Head Bolt  | 1          |
| 68       | BX63               | BELT, BX63, RAW EDGED COGGED  | 2          |

MODEL:

RM150

YEAR/ MARK:

04/2016  
ONWARDS

SHEET 10 OF 10

6

5

4

3

2

1

D

D

C

C

B

B

A

A