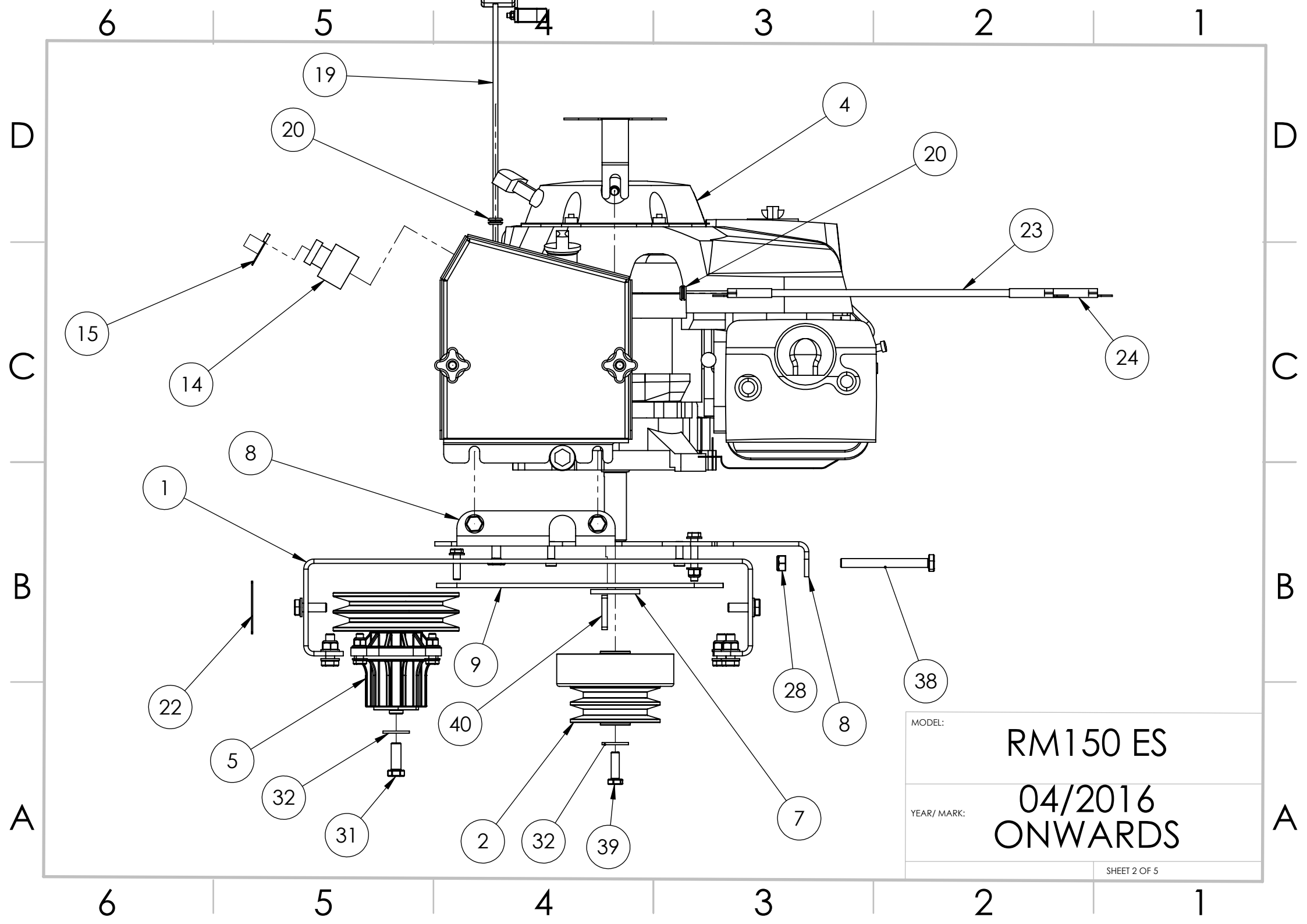


MODEL: RM150 ES
 YEAR/ MARK: 04/2016 ONWARDS



MODEL:

RM150 ES

YEAR/ MARK:

04/2016
ONWARDS

ITEM NO.	PART NUMBER	DESCRIPTION	RM150-ES/QTY.
1	RM-ERA	ENGINE RISER ASSEMBLY, RM SERIES	1
2	1800P001	CENTRIFUGAL CLUTCH 4" 2 GROOVE 1450RPM ENGAGEMENT	1
3	RM150-BGR	BELT GUARD RH RM150	1
4	GXV390-T1-DNE5	HONDA GXV390-T1-DNE5-OH 13HP VERTICAL SHAFT ENGINE 1" PARALLEL SHAFT ELECTRIC START	1
5	RM-SA	SPINDLE ASSEMBLY, RM, 2 GROOVE	1
6	RM120-009	THROTTLE CABLE HOLDER, RM SERIES	1
7	RM120-074	CLUTCH WASHER RM SERIES	1
8	RM-ESA	ENGINE SLIDE PLATE ASSEMBLY, RM SERIES	1
9	RM-ECA	ENGINE CAPTIVE ASSEMBLY, RM SERIES	1
10	RM-DMA	DRAWBAR MOUNT ASSEMBLY RM SERIES	1
11	RM150-RGA	REAR GUARD ASSEMBLY, RM150	1
12	RM-BBA	BATTERY BASE ASSEMBLY	1
13	518901026a514	BATTERY POWERSPORTS AGM 12V 18AH	1
14	XB5AA31	PUSHBUTTON 28MM GREEN, NORMALLY OPEN	1
15	ZBY2303	INDICATOR PLATE, START TEXT, TO SUIT XB5AA31 PUSHBUTTON	1

MODEL:	RM150 ES
YEAR/ MARK:	04/2016 ONWARDS
SHEET 3 OF 5	

ITEM NO.	PART NUMBER	DESCRIPTION	RM150-ES/QTY.
16	F188-40 M10	HANDWHEEL M10 THROUGH THREADED 40MM 4 LUG	2
17	RM-BLA	BATTERY LID ASSEMBLY	1
18	RM-BTB	BATTERY TOP BRACKET RM SERIES	1
19	RM-TA	THROTTLE ASSEMBLY COMPLETE, RM SERIES	1
20	498047	RUBBER GROMMET, PVC, 10MM ID, 16MM OD, 7MM THICK, 12MM HOLE DIA	3
21	RM150-BCA	BLADE CARRIER ASSEMBLY, RM150	3
22	SERIALPLATE	SERIAL PLATE CHAPMAN	1
23	BCB-350	BATTERY CABLE BLACK 350MM	1
24	BCR-400	BATTERY CABLE, RED, 400MM LONG	1
25	M10-20HB	M10 x 20 Hex Head Bolt	3
26	M10-000PW	M10 PLAIN WASHER FORM A	14
27	M10-30HB	M10 x 30 Hex Head Bolt	8
28	M10-000NN	M10 NYLOCK NUT	5
29	M8-000NN	M8 NYLOCK NUT	6
30	M8-30HS	M8 x 30 Hex Head Set Screw	6
31	7-16 20 x 1 1-4 UNF	7-16 x1 1-4 UNF "0 Hex Head Bolt	1
32	M10-000PWG	M10 Plain Washer Form G	6
33	M10-000CN	M10 Cage Nut	1

MODEL:	RM150 ES
YEAR/ MARK:	04/2016 ONWARDS
SHEET 4 OF 5	

6

5

4

3

2

1

ITEM NO.	PART NUMBER	DESCRIPTION	RM150-ES/QTY.
34	M8-50HB	M8 x 50 Hex Head Bolt	1
35	M8-000PW	M8 Plain Washer From A	12
36	M8-20CS	M8 x 20 Cap Head Set Screw	2
37	M10-50HB	M10 x 50 Hex Head Bolt	1
38	M10-100HS	M10 x 100 Hex Head Set Screw	1
39	3-8 24 x 1 1-4 UNF	3-8 x1 1-4 UNF 24 Hex Head Bolt	1
40	68856640	KEYWAY, 6X6X40MM FEATHERED ENDS STEEL	1
41	RM150-BGL	BELT GUARD LH, RM150	1
42	BX63	BELT, BX63, COGGED RAW EDGE	2

MODEL:	RM150 ES
YEAR/ MARK:	04/2016 ONWARDS
<small>SHEET 5 OF 5</small>	

6

5

4

3

2

1

D

D

C

C

B

B

A

A