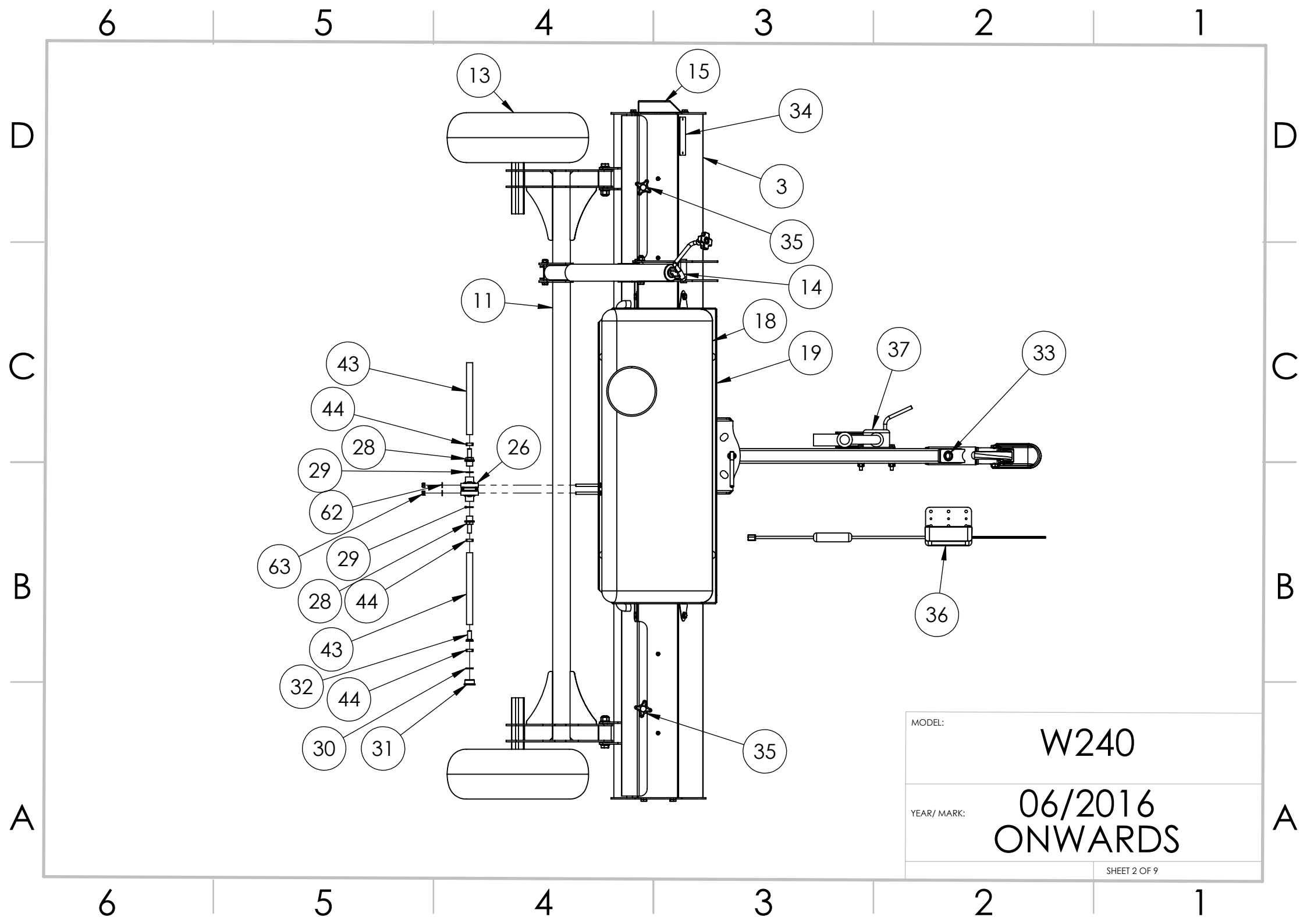


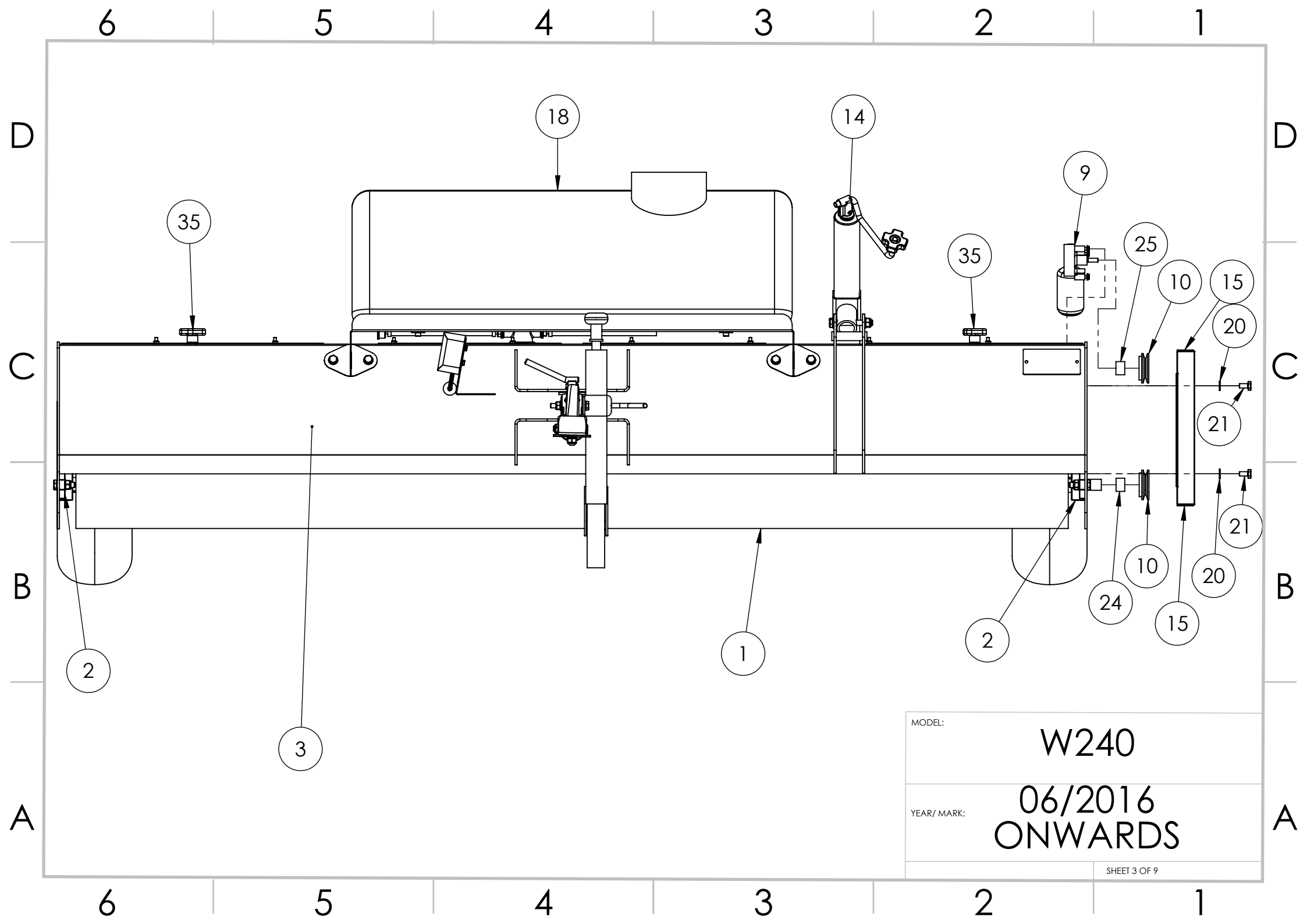
MODEL:

W240

YEAR/ MARK:

06/2016
ONWARDS





MODEL:

W240

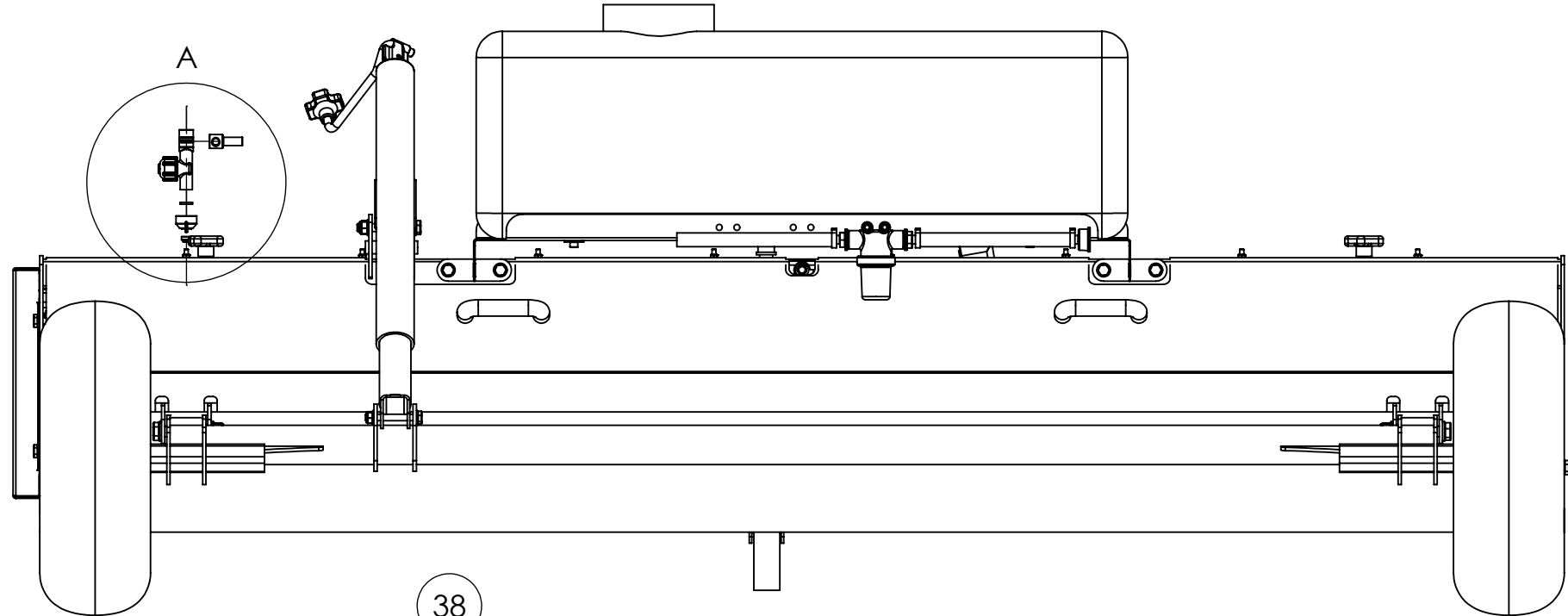
YEAR/ MARK:

06/2016
ONWARDS

6 5 4 3 2 1

D

D



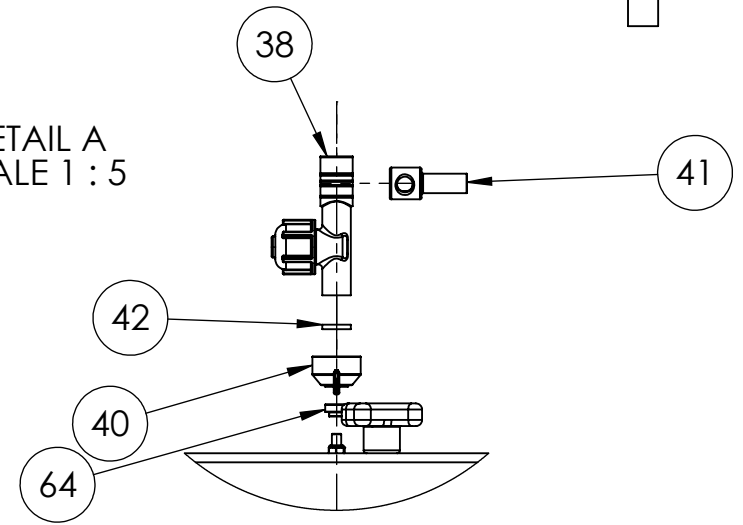
C

C

B

B

DETAIL A
SCALE 1 : 5

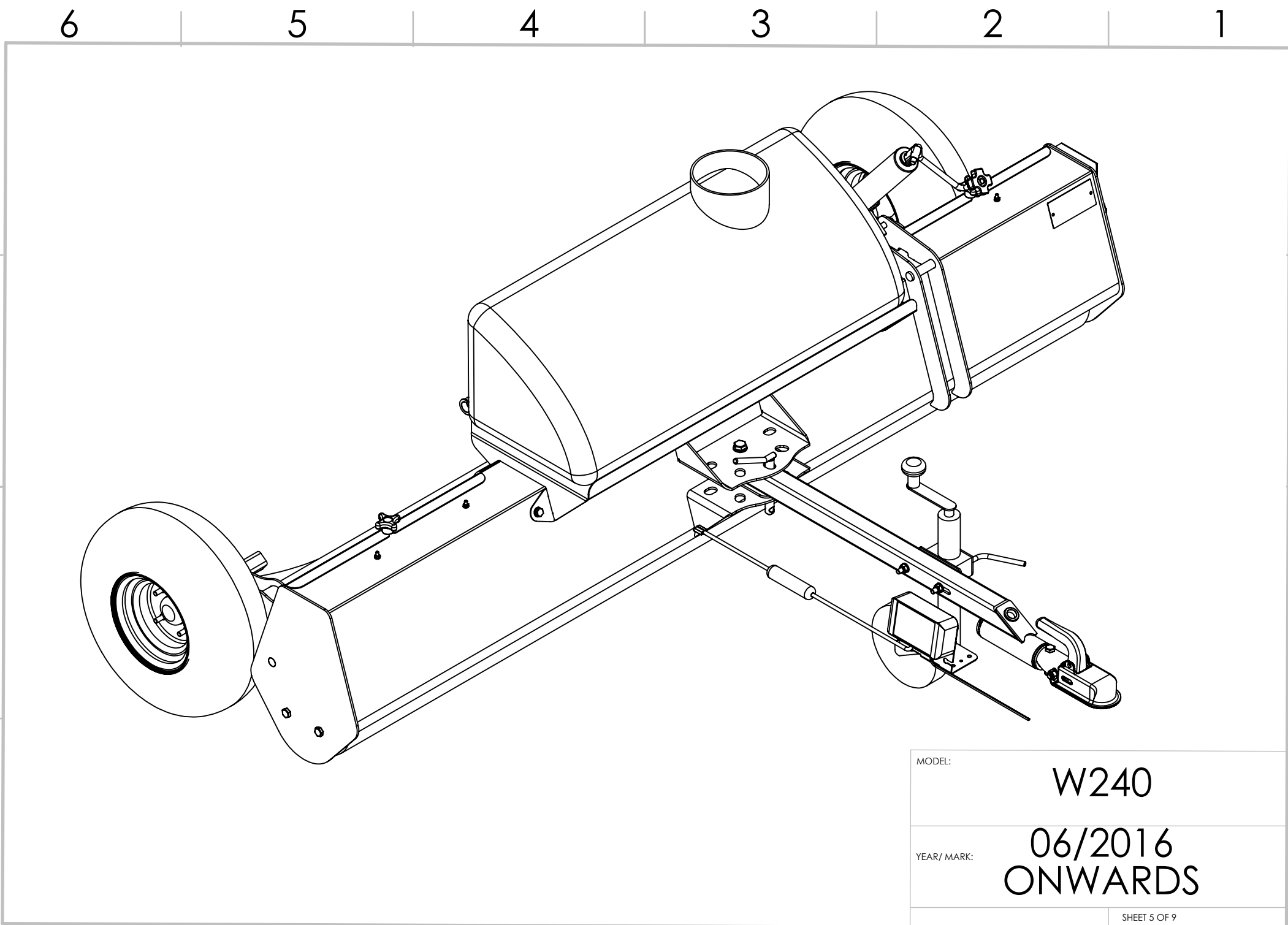


MODEL:	W240
YEAR/ MARK:	06/2016 ONWARDS
SHEET 4 OF 9	

A

A

6 5 4 3 2 1



MODEL:

W240

YEAR/ MARK:

06/2016
ONWARDS

6

5

4

3

2

1

ITEM NO.	PART NUMBER	DESCRIPTION	QTY.
1	W240-RA	WIPER ROLLER ASSEMBLY COMPLETE, W240	1
2	UCFL205	BEARING, OVAL, HOUSED, 25MM SHAFT	2
3	W240-MFA	MAIN FRAME ASSEMBLY, W240	1
4	W240-DBA	DRAWBAR ASSEMBLY, W240	1
5	SH-002	SWIVEL HITCH BUSH	2
6	SH-001	SWIVEL HITCH DRAWTUBE ASSEMBLY	1
7	SH-003	SWIVEL HITCH WASHER 44MM ID 60MM OD 5MM THICK	1
8	8802429X	8802429X COUPLING 50MM BALL TO SUIT 43MM TUBE	1
9	11137632000	DOGA MOTOR 111.3763.20.00 25RPM 12V	1
10	SPZ63-1	PULLEY, 63MM, 1 GROVE	2
11	W240-AA	AXLE ASSEMBLY W240	1
12	ADR-200H	HUB 4X4" SSP	2
13	WAT-1978-4x4	WHEEL AND TYRE ASSEMBLY 19X7X8 WANDA P308 ON 4X4" PCD	2
14	HAI-6091	Height Adjustment Jack Rev c	1
15	W240-006	DRIVE COVER, W240, REV D	1
16	W240-004	REAR GUARD REV D	1
17	M6-000PW	M6 Plain Washer Form A	8

MODEL:

W240

YEAR/ MARK:

06/2016
ONWARDS

SHEET 6 OF 9

6

5

4

3

2

1

D

D

C

C

B

B

A

A

6 5 4 3 2 1

ITEM NO.	PART NUMBER	DESCRIPTION	QTY.
18	131211	TANK, 50L, WITH PUMP AND HAND LANCE	1
19	W240-TBA	TANK BRACKET ASSEMBLY, W240	1
20	M10-000PW	M10 PLAIN WASHER FORM A	24
21	M10-20HB	M10 x 20 Hex Head Bolt	12
22	M10-000NN	M10 NYLOCK NUT	9
23	Z519130KR	LINKAGE PIN WITH CHAIN 130MMX19MM	1
24	1108-25	1108/25MM TAPERLOCK	1
25	1108-9	1108/9MM TAPERLOCK	1
26	3240T023	FILTER 1/2", 50 MICRON, CLEAR BULB, ARAG	1
27	33T12	TEE, NYLON, 1/2"	1
28	1032213	HOSE BARB 1/2"	2
29	G10041	O RING 20.24 X 2.62MM EPDM	2
30	G40013	FLAT SEAL 17 X 24.5 X 2.5MM EPDM	1
31	2002030	FLY NUT 3/4"	1
32	105313	HOSE TAIL 13MM-3/4"	1
33	G10 R280-50-220	GROMMET, RUBBER 22MM ID TO SUIT 28MM HOLE, 5MM THICK	2
34	SERIALPLATE	SERIAL PLATE CHAPMAN	1
35	F189-50 M10	HAND WHEEL, M10, 4 LOBE HANDLE	2

MODEL:	W240
YEAR/ MARK:	06/2016 ONWARDS
<small>SHEET 7 OF 9</small>	

6 5 4 3 2 1

D

D

C

C

B

B

A

A

6

5

4

3

2

1

ITEM NO.	PART NUMBER	DESCRIPTION	QTY.
36	W240-CAC	W240 CONTROL ASSEMBLY, COMPLETE	1
37	STR1620	JOCKEY WHEEL AND CLAMP ASSEMBLY,LIGHT DUTY	1
38	4221N-B122	HYPRO NOZZLE BODY EF3	8
39	4200-0211N	DRY BOOM ADAPTOR HYPRO DOUBLE ENDED	6
40	150RG2606	HYPRO EF3 FLAT FAN NOZZLE CAP GREEN	8
41	4200-0111N	DRY BOOM ADAPTOR HYPRO SINGLE ENDED	2
42	22700150	SEALING WASHER, HYPRO	8
43	L185-13	HOSE, RUBBER, 13MM (1/2"), 20 BAR REINFORCED, 21MM OD, 2 YELLOW STRIPES	9
44	HC-H-PA66-BK	HERBIE CLIP, SIZE H, 18.1-20.6MM, BLACK	20
45	M6-000NN	M6 Nylock Washer	8
46	B236-117 M8	HANDLE, M8, BLACK ACETAL	2
47	M8-20CS	M8 x 20 Cap Head Set Screw	8
48	M12-60HB	M12X60 HEX HEAD BOLT	1
49	M12-70HB	M12X70 HEX HEAD BOLT	1
50	M12-000PW	M12 PLAIN WASHER FORM A	7
51	M12-000NN	M12 NYLOCK NUT	7

MODEL:

W240

YEAR/ MARK:

06/2016
ONWARDS

SHEET 8 OF 9

6

5

4

3

2

1

D

D

C

C

B

B

A

A

6

5

4

3

2

1

D

D

C

C

B

B

A

A

ITEM NO.	PART NUMBER	DESCRIPTION	QTY.
52	M10-80HB	M10 x 80 Hex Head Bolt	3
53	M8-000PWG	M8 Plain Washer Form G	8
54	M10-000CN	M10 Cage Nut	2
55	M16-100HB	M16 x 100 Hex Head Bolt	3
56	M16-000PW	M16 plain Washer	6
57	M16-000NN	M16 Nylock Nut	3
58	M12-90HB	M12X90MM HEX HEAD BOLT	1
59	M12-40HB	M12 x 40 Hex Head Bolt	4
60	M6-20HB	M6 x 20 Hex Head Bolt	8
61	M8-80HB	M8 x 80 Hex Head Bolt	2
62	M8-000PW	M8 Plain Washer From A	4
63	M8-000NN	M8 NYLOCK NUT	2
64	ULD120015	FLAT FAN DRIFTBETA 120° GREEN	8

MODEL:	W240
YEAR/ MARK:	06/2016 ONWARDS
<small>SHEET 9 OF 9</small>	

6

5

4

3

2

1